

Recessed Light



ALLED® **Orion** Series

Specification Sheet

Product Introduction

Orion, often referred to as The Hunter, is one of the few constellations visible throughout the planet. Its degree of brightness can be seen and felt every time you switch on ALT's ORION products. ALT's Orion Recessed Light series offers unbeatable brightness and efficiency among all recessed lights. Due to its robust nature, Orion Recessed Light is the perfect choice for commercial applications with its great lifespan.

In order to replace for traditional fluorescent light, you can easily install our products within the ceiling of your office. Also, due to its unique directional light source, it can naturally perform the beam angle in the direction it needs to go – which provides a more efficient, resourceful lighting experience. Orion Recessed Light series offers a fruitful range of colours for general lighting and is available in Warm White, Natural White and True White colour. It is definitely the perfect choice for those concerned about interior design and brightness.

Certificates



Features

- ✓ Integration structural design to ensure maximal heat dissipation.
- ✓ Original high-power LED chips.
- ✓ CRI 80 high-brightness.

Application

- ✓ Office Lighting.
- ✓ Commercial Lighting.
- ✓ Illumination Lighting.



Specifications

Item	Specification	Details
Output	Beam Angle	10°, 15°, 20°, 24°, 25°, 30°, 38°, 45°, 50°, 60°, 80°, 90°, 130°, 135°
	Colour Range	TW / NW / WW
	Lumen Maintenance	50,000 hours (L70 / B50)
Electrical	Input Voltage	100 ~ 240V AC
	Power Consumption	25, 30,46, 50, 72, 75, 92, 100 Watts
Physical	Weight	2 kg (25, 30 Watts) 3 kg (46, 50 Watts) 4 kg (72, 75, 92, 100 Watts)
	Lens	Optics PMMA
	Operating Temperature	-40° F to 121° F (-40°C to 50°C)
	Humidity	0 – 95%, non-condensing
Certification and Safety	Certifications	ETL, CE, FCC, LVD, Laser Testing, RoHS, IP68, DLC, RCM
	Environment	Suitable for damp location
	Warranty	3 years
Customized Available	IP Protection / IP 68	t50, t75, t100
Two Million Worldwide Product Liability Insurance.		

Optical Characteristics

Dominant Wavelength (nm) or Colour Temperature (K)

EPISTAR LED chips

Correlated Colour Temperature	Min.	Typ.	Max.
True White	4750K	5700K	10000K
Natural White	3250K	4000K	4750K
Warm White	2500K	2700K	3250K

CREE LED chips

Correlated Colour Temperature	Min.	Typ.	Max.
True White	5000K	6000K	10000K
Natural White	3700K	4300K	5000K
Warm White	2100K	3000K	3700K

LUXEON LED chips

Correlated Colour Temperature	Min.	Typ.	Max.
True White	5000K	6000K	6500K
Natural White	3500K	4500K	5000K
Warm White	2700K	3000K	3500K

BRIDGELUX LED chips

Correlated Colour Temperature	Min.	Typ.	Max.
True White	4750K	5600K	7000K
Natural White	3700K	4100K	4750K
Warm White	2850K	3000K	3700K

Chipset Luminous Flux

Chipsets		EPISTAR			
Type		R02t25	R02t50	R02t75	R02t100
Power Consumption		25 W	50 W	75 W	100 W
Beam Angle		130°			
True White	CRI 70	1600 lm	3600 lm	4800 lm	6400 lm
Natural White	CRI 70	1600 lm	3600 lm	4800 lm	6400 lm
Warm White	CRI 70	1200 lm	2400 lm	3600 lm	4800 lm

Chipsets		BRIDGELUX			
Type		R02t25	R02t50	R02t75	R02t100
Power Consumption		30 W	46 W	72 W	92 W
Beam Angle		130°			
True White	CRI 65	2500 lm	3600 lm	5400 lm	7200 lm
Natural White	CRI 80	2000 lm	3400 lm	5100 lm	6800 lm
Warm White	CRI 82	1800 lm	2500 lm	3750 lm	5000 lm

Chipsets		CREE XB-D			
Type		R02t25	R02t50	R02t75	R02t100
Power Consumption		25 W	46 W	72 W	92 W
Beam Angle		10° / 20° / 30° / 45° / 60° / 90° / 130°			
True White	CRI 80	2300 lm	4600 lm	6900 lm	9200 lm
Natural White	CRI 80	1950 lm	3900 lm	5850 lm	7800 lm
Warm White	CRI 80	1750 lm	3500 lm	5250 lm	7000 lm

Chipsets		LUXEON Rebel ES			
Type		R02t25	R02t50	R02t75	R02t100
Power Consumption		25 W	46 W	72 W	92 W
Beam Angle		15° / 24° / 30° / 50° / 60° / 90° / 130°			
True White	CRI 80	2550 lm	5100 lm	7650 lm	10200 lm
Natural White	CRI 80	2200 lm	4400 lm	6600 lm	8800 lm
Warm White	CRI 80	1850 lm	3700 lm	5550 lm	7400 lm

Chipsets		CREE XT-E			
Type		R02t25	R02t50	R02t75	R02t100
Power Consumption		25 W	46 W	72 W	92 W
Beam Angle		15° / 20° / 30° / 45° / 50° / 60° / 80° / 90° / 130°			
True White	CRI 70	2800 lm	5600 lm	8400 lm	11200 lm
Natural White	CRI 80	2450 lm	4900 lm	7350 lm	9800 lm
Warm White	CRI 80	2000 lm	4000 lm	6000 lm	8000 lm
		2200K			
	CRI 90	1750 lm	3500 lm	5250 lm	7000 lm
		1600 lm	3200 lm	4800 lm	6400 lm

OSRAM LED Chips

Correlated Colour Temperature	Min.	Typ.	Max.
True White	5000K	6000K	7000K
Natural White	3500K	4000K	5000K
Warm White	2700K	3000K	3500K

LUXEON LED Chips

Correlated Colour Temperature	Min.	Typ.	Max.
True White	4500K	5650K	10000K
Natural White	3500K	4100K	4500K
Warm White	2540K	3100K	3500K

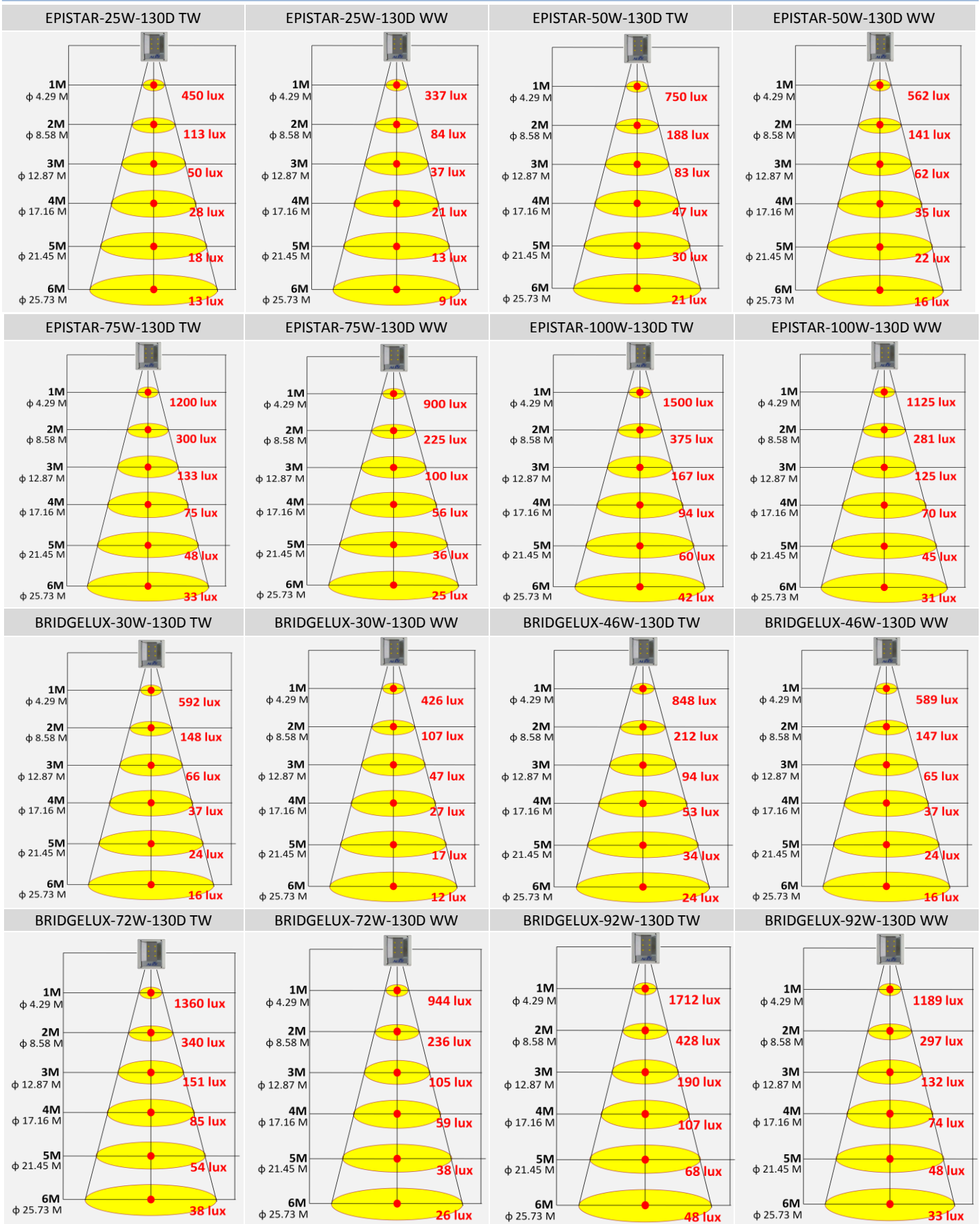
Chipsets	OSRAM Square				
Power Consumption	25 W	46 W	72 W	92 W	
Beam Angle	15° / 25° / 38° / 45° / 50° / 60° / 80° / 90° / 130° / 135°				
True White	CRI 70	3300 lm	6600 lm	9900 lm	13200 lm
Natural White	CRI 70	3200 lm	6400 lm	9600 lm	12800 lm
Warm White	CRI 80	3000 lm	6000 lm	9000 lm	12000 lm

Chipsets	LUXEON Tx				
Power Consumption	25 W	46 W	72 W	92 W	
Beam Angle	20° / 25° / 38° / 60° / 90° / 130° / 135°				
True White	CRI 70	2900 lm	5800 lm	8700 lm	11600 lm
Natural White	CRI 70	2550 lm	5100 lm	7650 lm	10200 lm
Warm White	CRI 80	2100 lm	4200 lm	6300 lm	8400 lm

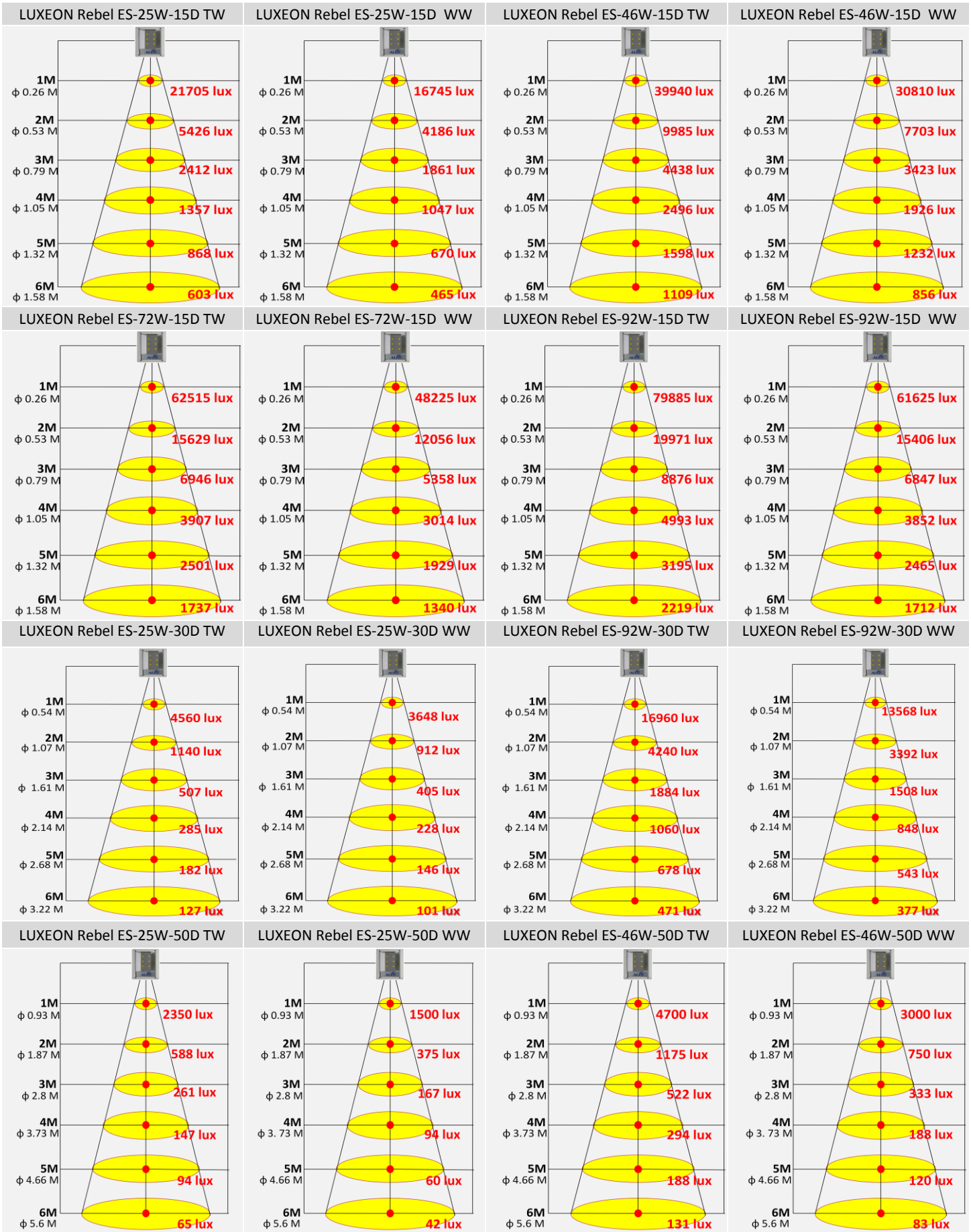
Chipsets	CREE XP-L				
Power Consumption	25 W	46 W	72 W	92 W	
Beam Angle	20° / 38° / 60° / 90° / 130°				
True White	CRI 65	3400 lm	6800 lm	10200 lm	13600 lm
Natural White	CRI 75	3100 lm	6200 lm	9300 lm	12400 lm
Warm White	CRI 80	2800 lm	5600 lm	8400 lm	11200 lm

※All Chipset Luminous Flux Data are indicated in max values.

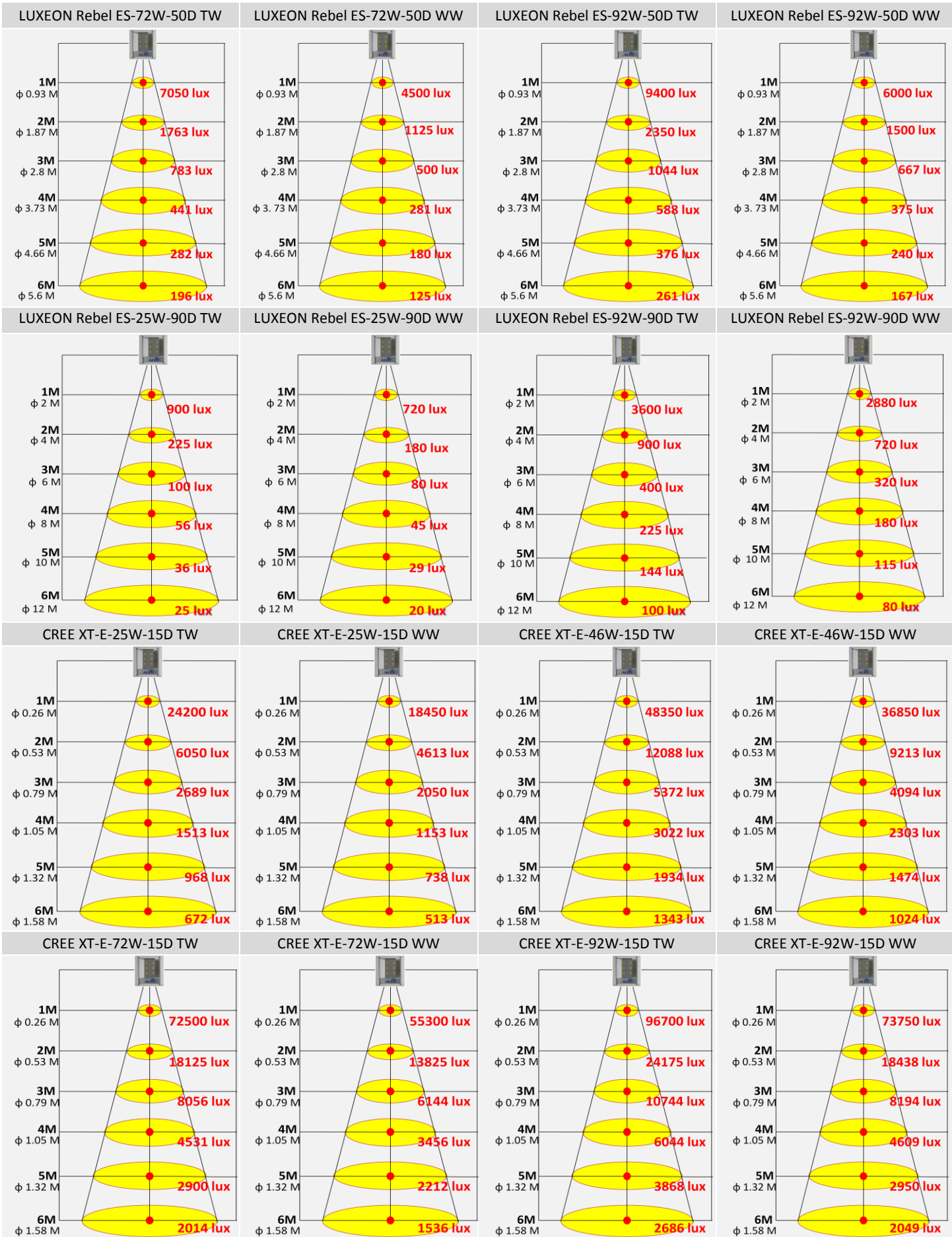
Illuminance at Distance



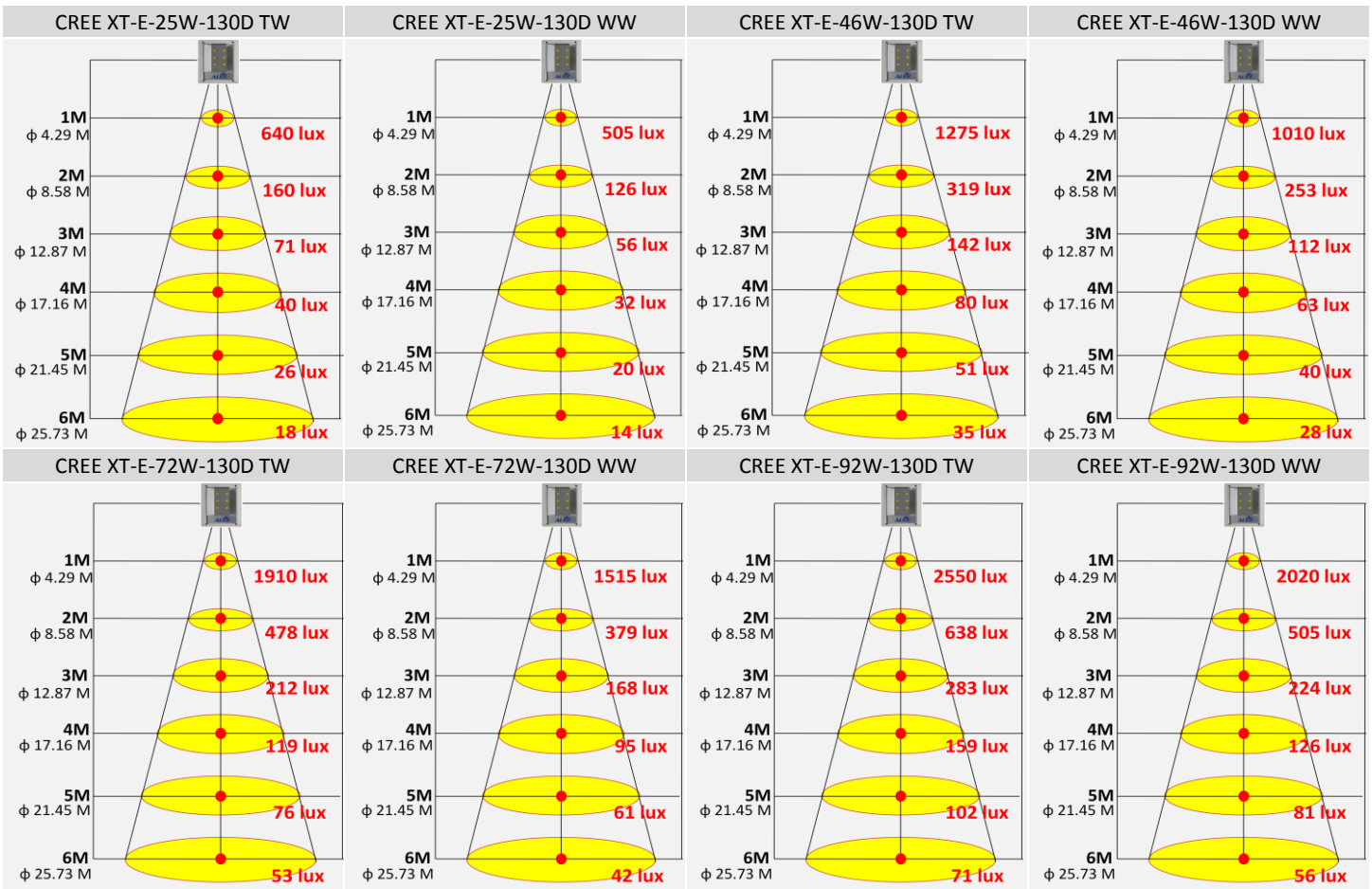
Illuminance at Distance



Illuminance at Distance

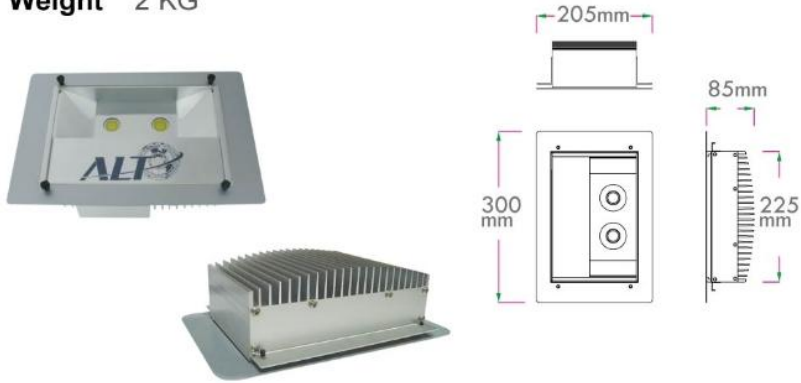


Illuminance at Distance

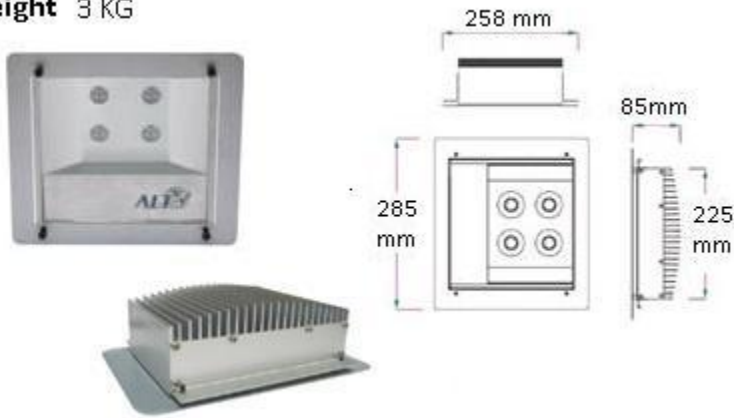


Mechanical Dimensions

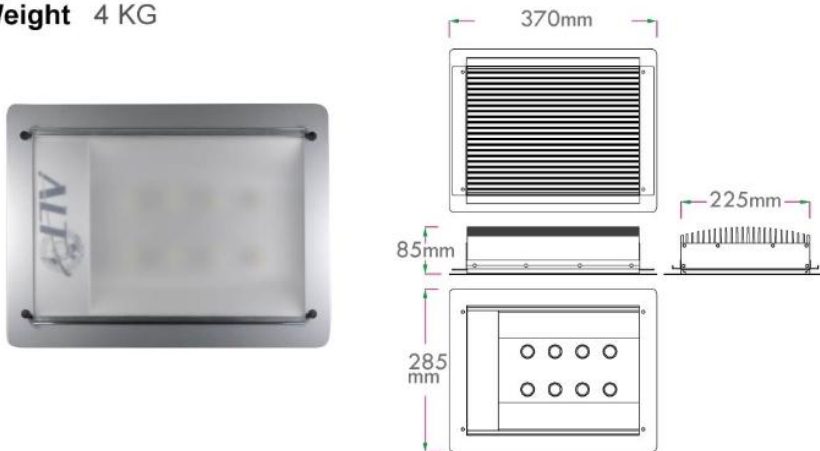
Weight 2 KG



Weight 3 KG



Weight 4 KG



Aeon Lighting Technology Inc.
16F-8., No.2, Jian 8th Rd., Zhonghe Dist.,
NEW Taipei City 235, Taiwan (R.O.C.)
Tel +886-2-8226-1289
Fax +886-2-8226-9066
www.aeonlighting.com

