



Aeon Lighting Technology Inc.



Pursuit of perfection environmental purity.



High Power LED Lighting Solutions

www.aeonlighting.com

2014 ver 01 (CHIPSET LUMINOUS FLUX)



Aeon Lighting Technology Inc.

16F-8, No.2, Jianba Rd., Zhonghe Dist., New Taipei City 235, Taiwan

TEL : +886-2-8226-1289

E-mail : info@aeonlighting.com



Two Million US Dollars Product Liability Insurance
Copyright © 2014 Aeon Lighting Technology Inc.
ver 01 (CHIPSET LUMINOUS FLUX) Mar.





ALT outdoor product line includes LED street light, wall wash light, and all kind of scene lighting. As global trend for clean energy, ALTLED® is the first company to create outdoor lighting products through high technology. ALT outdoor products can replace with all kind of lighting fixture directly, including high power LED streetlight with international standards.

Currently, ALTLED® outdoor series have several certifications and no other manufacturers can compete with. In addition to the international major certifications: UL, cUL, ETL, TUV, CE, and FCC, ALT Lodestar streetlight series is the only product passed the critical ITRI test and obtained CNS 15233 and CNS official Mark certification.

Five Major Advantages for Outdoor Series :

- Complete safety certifications: UL, cUL, ETL, TUV, CE, FCC and CNS 15233
- System stability: unique outdoor heat-dissipation design without being influenced by weather.
- Tough environment operation: pass several high and low temperature environment and salt tests. Suitable for any weather and environment.
- Highly availability: supporting various angles and power requirements, suitable for all kind of outdoor usages
- Total water-resistance: passed international IP68 water-resistance testing, can be used under water for more than 10,000 hours.

Lodestar series

Used in the past as a guide to navigators, LODESTAR is a bright, easily found star. As outdoor lighting series have to be, ALT's LODESTAR street light and flood light are beautiful, cost-saving, and with an incredible long life-span.

Street Light

S01



P. 83

S02 / S02 (Solar)



P. 84

S04



P. 89

Floodlight

F01



P. 83

F02 / F02 (Solar)



P. 84

F04



P. 89

Theseus series

Anti-Explosive Lamp



P. 92

Grow Light series

Grow Light



P. 94

Street Light

ALT's Lodestar street light series is the most efficient, and bright product in the LED industry as is to be expected from the stars. Possessing a high stability lighting due to its unique current fluctuation protection, our Street Lights can be placed in the harshest conditions. With a CRI of 80, Lodestar street light series provides high brightness and at the same time a much improved night vision to increase pedestrian and vehicle safety. Once a traditional street light is replaced for a Lodestar street light, your operating and maintenance costs will be dramatically reduced up to 60%. In addition, the light of our street lights can be easily directed, avoiding sending light in all directions to prevent from energy wasting. Beautiful, cost-saving, and with an incredible long life-span, Lodestar street light series is perfect to be a shining star in your street.

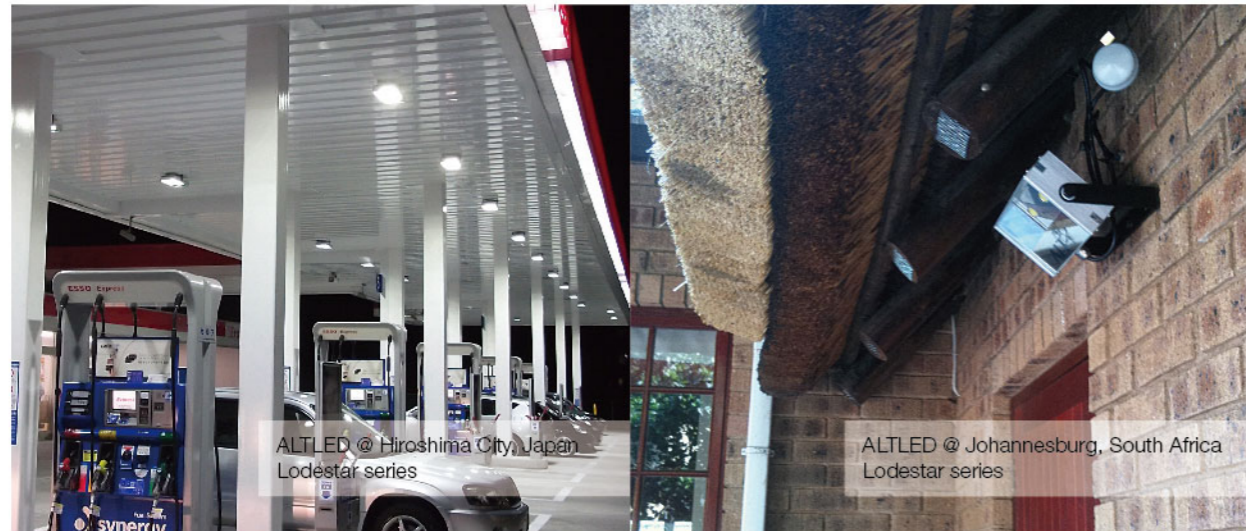


ALTLED @ Taipei, Taiwan
Lodestar series

ALTLED @ Johannesburg, South Africa
Lodestar series

Floodlight

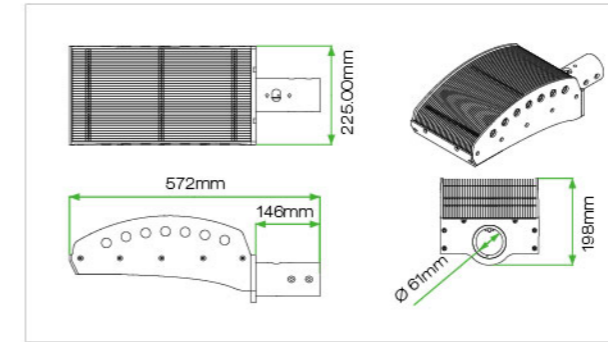
ALT's Lodestar floodlight series is in fact one of the brightest LED in the world, going up to an astonishing lumens of 16,800. Integrated with a patented aerospace structural design, and providing consistent light intensity and high performance even in extreme climates, ALT's Lodestar floodlight is ideal for large outdoor areas including external wall, gardens, harbors and sport fields. Furthermore, ALT is proud to announce that it has launched a revolutionary product called LED Grow Light. Also under the Lodestar floodlight series, our Grow Light changes the way we grow plants indoor. By providing much less heat, Lodestar Grow Light consumes less power by delivering the perfect effects that included Red, Green and Blue. This will consequently provide a much more efficient and faster growing.



ALTLED @ Hiroshima City, Japan
Lodestar series

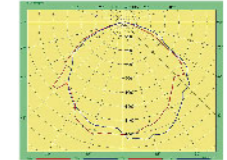
ALTLED @ Johannesburg, South Africa
Lodestar series

Street Light S01

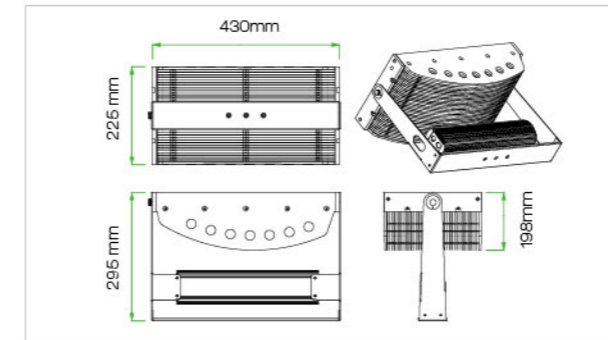


Working Voltage 100 - 240V AC
Weight 113 oz. (9-11 kg)
Applicable Pole Dimension 1 5/8" - 2 3/8" (42 - 61 mm)
Operating Temp -20°C to +50°C
Lifespan 50,000 hours
Warranty 3 Years Limited

CANDLE POWER DISTRIBUTION
IES Classification
Type II, Short
Beam Angle : 130°

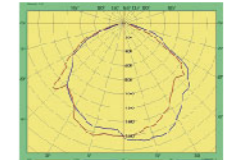


Floodlight F01



Working Voltage 100 - 240V AC
Weight 113 oz. (9-11 kg)
Operating Temp -20°C to +50°C
Lifespan 50,000 hours
Warranty 3 Years Limited

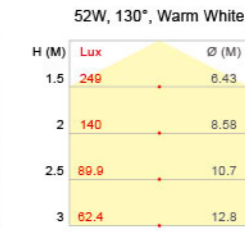
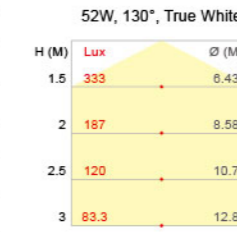
CANDLE POWER DISTRIBUTION
IES Classification
Type II, Short
Beam Angle : 130°



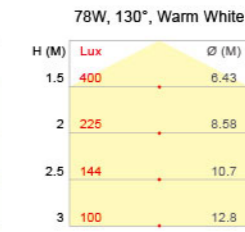
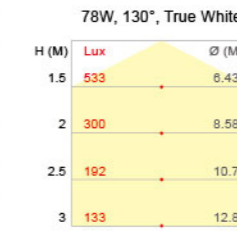
CHIPSET LUMINOUS FLUX

All Chipset Luminous Flux Data are indicated in max values

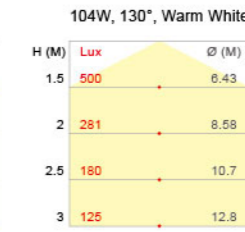
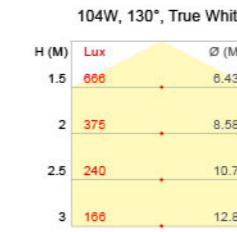
Chipsets	EPISTAR	
Type	S01-L60	F01-L60
Power Consumption	52 Watts	
Beam Angle	130°	
True White	CRI 70	3400 lm
Warm White	CRI 70	2400 lm



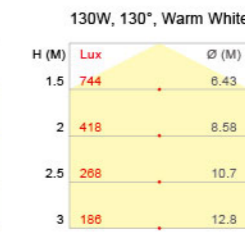
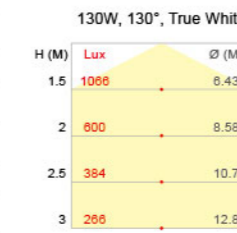
Chipsets	EPISTAR	
Type	S01-L90	F01-L90
Power Consumption	78 Watts	
Beam Angle	130°	
True White	CRI 70	5100 lm
Warm White	CRI 70	3600 lm



Chipsets	EPISTAR	
Type	S01-L120	F01-L120
Power Consumption	104 Watts	
Beam Angle	130°	
True White	CRI 70	6800 lm
Warm White	CRI 70	4800 lm

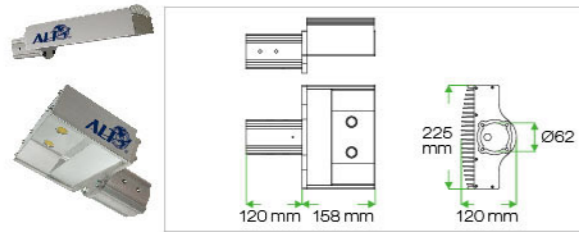


Chipsets	EPISTAR	
Type	S01-L150	F01-L150
Power Consumption	130 Watts	
Beam Angle	130°	
True White	CRI 70	8500 lm
Warm White	CRI 70	6000 lm



Street Light - S02T25

IP68



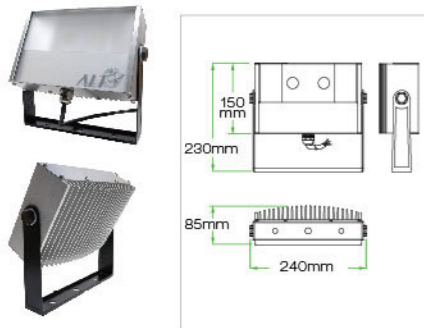
100 - 240V AC
(Power Factor: ≥ 0.9)
Operating Temp: -40°C to +50°C
-65°C to +50°C

12V DC, 24V DC
(for Solar Power System)
Operating Temp: -40°C to +50°C

Weight **113 oz. (3.5 kg)**
Lifespan **50,000 hours**
Warranty **3 Years Limited**
Applicable Pole Dimension **42-62mm**

Floodlight - F02T25

IP68

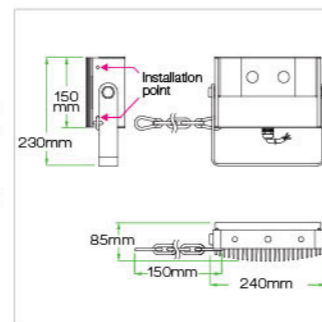


Standard

100 - 240V AC
(Power Factor: ≥ 0.9)
Operating Temp: -40°C to +50°C
-65°C to +50°C

12V DC, 24V DC
(for Solar Power System)
Operating Temp: -40°C to +50°C

Weight **113 oz. (3.5 kg)**
Lifespan **50,000 hours**
Warranty **3 Years Limited**



Industrial Plus

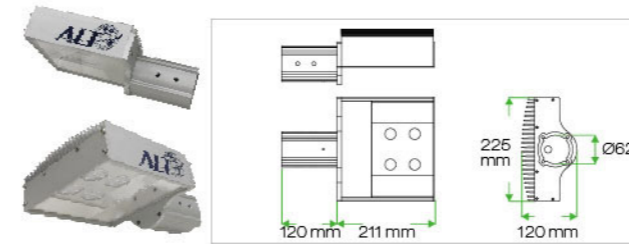
100 - 240V AC
(Power Factor: ≥ 0.9)
Operating Temp: -40°C to +50°C
-65°C to +50°C

12V DC, 24V DC
(for Solar Power System)
Operating Temp: -40°C to +50°C

Steel Chain **150cm**
Weight **155 oz. (4.4 kg)**
Lifespan **50,000 hours**
Warranty **5 Years Limited**

Street Light - S02T50

IP68



100 - 240V AC
(Power Factor: ≥ 0.9)
Operating Temp: -40°C to +50°C
-65°C to +50°C

12V DC, 24V DC
(for Solar Power System)
Operating Temp: -40°C to +50°C

Weight **176.4 oz. (5 kg)**
Lifespan **50,000 hours**
Warranty **3 Years Limited**
Applicable Pole Dimension **42-62mm**

Floodlight - F02T50

IP68

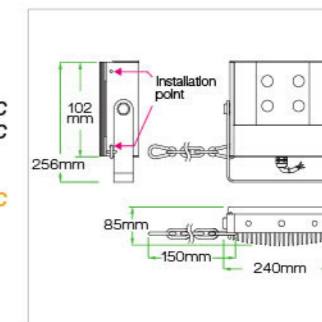


Standard

100 - 240V AC
(Power Factor: ≥ 0.9)
Operating Temp: -40°C to +50°C
-65°C to +50°C

12V DC, 24V DC
(for Solar Power System)
Operating Temp: -40°C to +50°C

Weight **176.4 oz. (5 kg)**
Lifespan **50,000 hours**
Warranty **3 Years Limited**



Industrial Plus

100 - 240V AC
(Power Factor: ≥ 0.9)
Operating Temp: -40°C to +50°C
-65°C to +50°C

12V DC, 24V DC
(for Solar Power System)
Operating Temp: -40°C to +50°C

Steel Chain **150cm**
Weight **208 oz. (5.9 kg)**
Lifespan **50,000 hours**
Warranty **5 Years Limited**

CHIPSET LUMINOUS FLUX

All Chipset Luminous Flux Data are indicated in max values

Chipsets		XT-E
Power Consumption	25 Watts	
Working Voltage	100 - 240V AC, 24V DC	
Beam Angle	15° / 20° / 30° / 45° / 60° / 90° / 130° (120° x 50°) / (120° x 60°) / (135° x 50°)	
True White	CRI 70	2800 lm
Natural White	CRI 80	2450 lm
Warm White	CRI 80	2000 lm
Warm White	CRI 80	1750 lm

Chipsets		XB-D
Power Consumption	25 Watts	
Working Voltage	100 - 240V AC, 24V DC	
Beam Angle	10° / 20° / 30° / 45° / 60° / 90° / 130° / 135° / (120°x50°) / (120°x60°) / (135°x50°)	
True White	CRI 80	2300 lm
Natural White	CRI 80	1950 lm
Warm White	CRI 80	1750 lm

Chipsets		XP-G		Rebel ES		XP-E		Rebel
Power Consumption	25 Watts		25 Watts		25 Watts		25 Watts	
Working Voltage	12V DC	100 - 240V AC, 24V DC	100 - 240V AC, 24V DC		100 - 240V AC, 24V DC		100 - 240V AC, 24V DC	
Beam Angle	130°	15° / 24° / 30° / 50° / 60° / 90° / 130° / 135° (120°x50°) / (120°x60°) / (135°x50°)		10° / 20° / 30° / 45° / 60° / 90° / 130° / 135° / (120°x50°) / (120°x60°) / (135°x50°)				
True White	CRI 80							1800 lm
Natural White	CRI 80							1600 lm
Warm White	CRI 80							1300 lm

Chipsets		
Power Consumption	30 Watts	
Working Voltage	100 - 240V AC, 24V DC	
Beam Angle	130°	
True White	CRI 65	2500 lm
Natural White	CRI 80	2000 lm
Warm White	CRI 82	1800 lm

Chipsets		
Power Consumption	25 Watts	
Working Voltage	100 - 240V AC, 12V DC, 24V DC	
Beam Angle	130°	
True White	CRI 70	1600 lm
Natural White	CRI 70	1600 lm
Warm White	CRI 70	1200 lm

CHIPSET LUMINOUS FLUX

All Chipset Luminous Flux Data are indicated in max values

Chipsets		XT-E
Power Consumption	46 Watts	
Working Voltage	100 - 240V AC, 24V DC	
Beam Angle	15° / 20° / 30° / 45° / 60° / 90° / 130° (120° x 50°) / (120° x 60°) / (135° x 50°)	
True White	CRI 70	5600 lm
Natural White	CRI 80	4900 lm
Warm White	CRI 80	4000 lm
Warm White	CRI 80	3500 lm

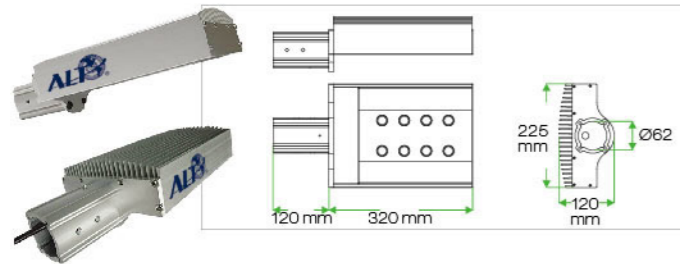
Chipsets		XB-D
Power Consumption	46 Watts	
Working Voltage	100 - 240V AC, 24V DC	
Beam Angle	10° / 20° / 30° / 45° / 60° / 90° / 130° / 135° / (120°x50°) / (120°x60°) / (135°x50°)	
True White	CRI 80	4600 lm
Natural White	CRI 80	3900 lm
Warm White	CRI 80	3500 lm

Chipsets		XP-G		Rebel ES		XP-E		Rebel
Power Consumption	46 Watts		46 Watts		46 Watts		46 Watts	
Working Voltage	12V DC	100 - 240V AC, 24V DC	100 - 240V AC, 24V DC		100 - 240V AC, 24V DC		100 - 240V AC, 24V DC	
Beam Angle	130°	15° / 24° / 30° / 50° / 60° / 90° / 130° / 135° (120°x50°) / (120°x60°) / (135°x50°)		10° / 20° / 30° / 45° / 60° / 90° / 130° / 135° / (120°x50°) / (120°x60°) / (135°x50°)				
True White	CRI 80							3600 lm
Natural White	CRI 80							3200 lm
Warm White	CRI 80							2600 lm

Chipsets		
Power Consumption	46 Watts	
Working Voltage	100 - 240V AC, 24V DC	
Beam Angle	130°	
True White	CRI 65	3600 lm
Natural White	CRI 80	3400 lm
Warm White	CRI 82	2500 lm

Chipsets		
Power Consumption	50 Watts	
Working Voltage	100 - 240V AC, 12V DC, 24V DC	
Beam Angle	130°	
True White	CRI 70	3200 lm
Natural White	CRI 70	3200 lm
Warm White	CRI 70	2400 lm

Street Light - S02T75

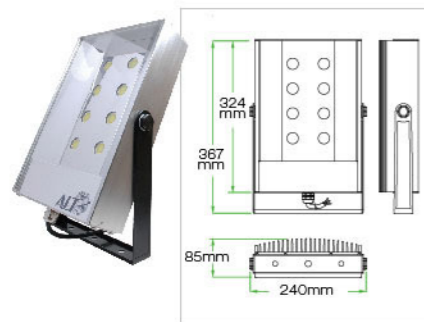


100 - 240V AC
(Power Factor: ≥ 0.9)
Operating Temp: -40°C to +50°C
-65°C to +50°C

24V DC
(for Solar Power System)
Operating Temp: -40°C to +50°C

Weight **210 oz. (6.5 kg)**
Lifespan **50,000 hours**
Warranty **3 Years Limited**
Applicable Pole Dimension **42-62mm**

Floodlight - F02T75

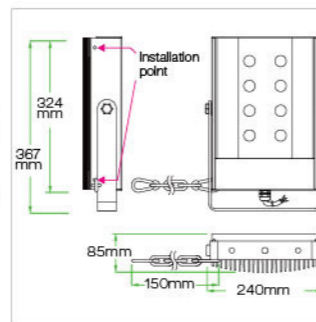


Standard

100 - 240V AC
(Power Factor: ≥ 0.9)
Operating Temp: -40°C to +50°C
-65°C to +50°C

24V DC
(for Solar Power System)
Operating Temp: -40°C to +50°C

Weight **210 oz. (6.5 kg)**
Lifespan **50,000 hours**
Warranty **3 Years Limited**



Industrial Plus

100 - 240V AC
(Power Factor: ≥ 0.9)
Operating Temp: -40°C to +50°C
-65°C to +50°C

24V DC
(for Solar Power System)
Operating Temp: -40°C to +50°C

Steel Chain **150cm**
Weight **265 oz. (7.5 kg)**
Lifespan **50,000 hours**
Warranty **5 Years Limited**

CHIPSET LUMINOUS FLUX

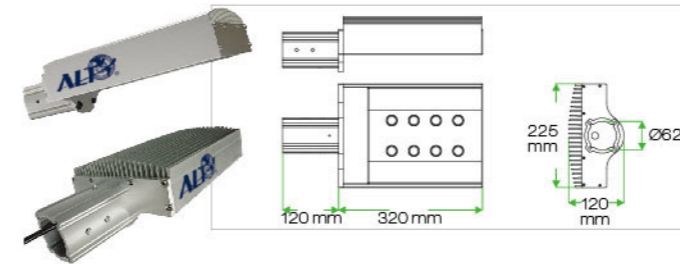
All Chipset Luminous Flux Data are indicated in max values

Chipsets	CREE LEDs XT-E	Chipsets	CREE LEDs XB-D
Power Consumption	72 Watts	Power Consumption	72 Watts
Working Voltage	100 - 240V AC, 24V DC	Working Voltage	100 - 240V AC, 24V DC
Beam Angle	15° / 20° / 30° / 45° / 60° / 90° / 130° (120° x 50°) / (120° x 60°) / (135° x 50°)	Beam Angle	10° / 20° / 30° / 45° / 60° / 90° / 130° / 135° / (120°x50°) / (120°x60°) / (135°x50°)
True White	CRI 70 8400 lm	True White	CRI 80 6900 lm
Natural White	CRI 80 7350 lm	Natural White	CRI 80 5850 lm
Warm White	CRI 80 6000 lm	Warm White	CRI 80 5250 lm
Warm White CK: 2200K	CRI 80 5250 lm		

Chipsets	CREE LEDs XP-G	LUXEON Rebel ES	CREE LEDs XP-E	LUXEON Rebel
Power Consumption	72 Watts		72 Watts	
Working Voltage	100 - 240V AC, 24V DC		100 - 240V AC, 24V DC	
Beam Angle	15° / 24° / 30° / 50° / 60° / 90° / 130° / 135° / (120°x50°) / (120°x60°) / (135°x50°)		10° / 20° / 30° / 45° / 60° / 90° / 130° / 135° / (120°x50°) / (120°x60°) / (135°x50°)	
True White	CRI 80 7650 lm		CRI 80 5400 lm	
Natural White	CRI 80 6600 lm		CRI 80 4800 lm	
Warm White	CRI 80 5550 lm		CRI 80 3900 lm	

Chipsets	BRIDGELUX	Chipsets	EPISTAR
Power Consumption	72 Watts	Power Consumption	75 Watts
Working Voltage	100 - 240V AC, 24V DC	Working Voltage	100 - 240V AC, 24V DC
Beam Angle	130°	Beam Angle	130°
True White	CRI 65 5400 lm	True White	CRI 70 4800 lm
Natural White	CRI 80 5100 lm	Natural White	CRI 70 4800 lm
Warm White	CRI 82 3750 lm	Warm White	CRI 70 3600 lm

Street Light - S02T100

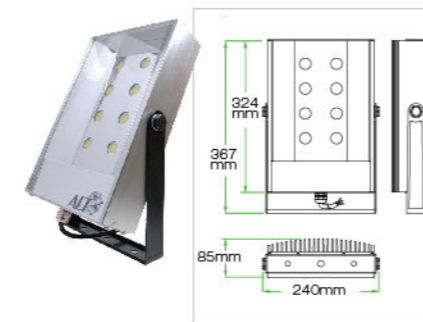


100 - 240V AC
(Power Factor: ≥ 0.9)
Operating Temp: -40°C to +50°C
-65°C to +50°C

24V DC
(for Solar Power System)
Operating Temp: -40°C to +50°C

Weight **210 oz. (6.5 kg)**
Lifespan **50,000 hours**
Warranty **3 Years Limited**
Applicable Pole Dimension **42-62mm**

Floodlight - F02T100

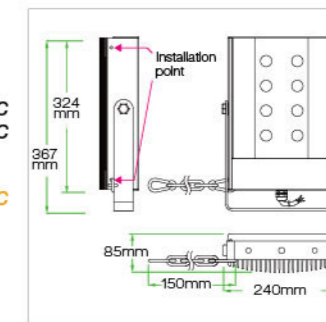


Standard

100 - 240V AC
(Power Factor: ≥ 0.9)
Operating Temp: -40°C to +50°C
-65°C to +50°C

24V DC
(for Solar Power System)
Operating Temp: -40°C to +50°C

Weight **210 oz. (6.5 kg)**
Lifespan **50,000 hours**
Warranty **3 Years Limited**



Industrial Plus

100 - 240V AC
(Power Factor: ≥ 0.9)
Operating Temp: -40°C to +50°C
-65°C to +50°C

24V DC
(for Solar Power System)
Operating Temp: -40°C to +50°C

Steel Chain **150cm**
Weight **265 oz. (7.5 kg)**
Lifespan **50,000 hours**
Warranty **5 Years Limited**

CHIPSET LUMINOUS FLUX

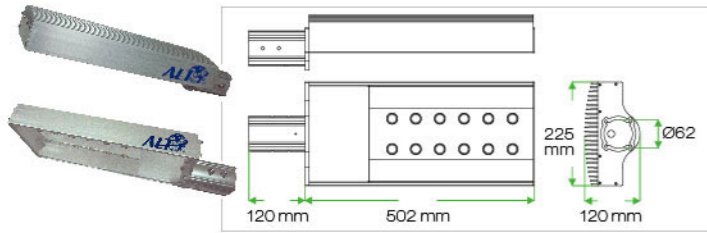
All Chipset Luminous Flux Data are indicated in max values

Chipsets	CREE LEDs XT-E	Chipsets	CREE LEDs XB-D
Power Consumption	92 Watts	Power Consumption	92 Watts
Working Voltage	100 - 240V AC, 24V DC	Working Voltage	100 - 240V AC, 24V DC
Beam Angle	15° / 20° / 30° / 45° / 60° / 90° / 130° (120° x 50°) / (120° x 60°) / (135° x 50°)	Beam Angle	10° / 20° / 30° / 45° / 60° / 90° / 130° / 135° / (120°x50°) / (120°x60°) / (135°x50°)
True White	CRI 70 11200 lm	True White	CRI 80 9200 lm
Natural White	CRI 80 9800 lm	Natural White	CRI 80 7800 lm
Warm White	CRI 80 8000 lm	Warm White	CRI 80 7000 lm
Warm White CK: 2200K	CRI 80 7000 lm		

Chipsets	CREE LEDs XP-G	LUXEON Rebel ES	CREE LEDs XP-E	LUXEON Rebel
Power Consumption	92 Watts		92 Watts	
Working Voltage	100 - 240V AC, 24V DC		100 - 240V AC, 24V DC	
Beam Angle	15° / 24° / 30° / 50° / 60° / 90° / 130° / 135° / (120°x50°) / (120°x60°) / (135°x50°)		10° / 20° / 30° / 45° / 60° / 90° / 130° / 135° / (120°x50°) / (120°x60°) / (135°x50°)	
True White	CRI 80 10200 lm		CRI 80 7200 lm	
Natural White	CRI 80 8800 lm		CRI 80 6400 lm	
Warm White	CRI 80 7400 lm		CRI 80 5200 lm	

Chipsets	BRIDGELUX	Chipsets	EPISTAR
Power Consumption	92 Watts	Power Consumption	100 Watts
Working Voltage	100 - 240V AC, 24V DC	Working Voltage	100 - 240V AC, 24V DC
Beam Angle	130°	Beam Angle	130°
True White	CRI 65 7200 lm	True White	CRI 70 6400 lm
Natural White	CRI 80 6800 lm	Natural White	CRI 70 6400 lm
Warm White	CRI 82 5000 lm	Warm White	CRI 70 4800 lm

Street Light - S02T150

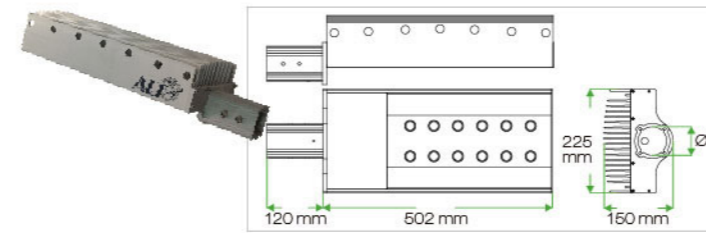


100 - 240V AC
(Power Factor: ≥ 0.9)
Operating Temp: -40°C to $+50^{\circ}\text{C}$
 -65°C to $+50^{\circ}\text{C}$

24V DC
(for Solar Power System)
Operating Temp: -40°C to $+50^{\circ}\text{C}$

Weight **307 oz. (8.7 kg)**
Lifespan **50,000 hours**
Warranty **3 Years Limited**
Applicable Pole Dimension **42-62mm**

Street Light - S04T200

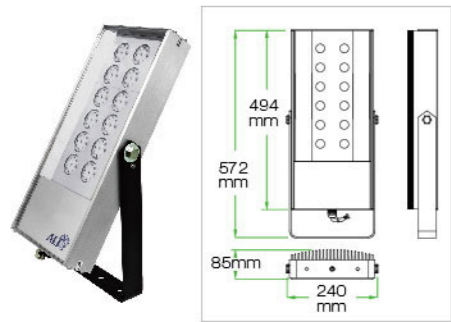


100 - 240V AC
(Power Factor: ≥ 0.9)
Operating Temp: -40°C to $+50^{\circ}\text{C}$

24V DC
(for Solar Power System)
Operating Temp: -40°C to $+50^{\circ}\text{C}$

Weight **399 oz. (11.3 kg)**
Lifespan **50,000 hours**
Warranty **3 Years Limited**
Applicable Pole Dimension **42-62mm**

Floodlight - F02T150

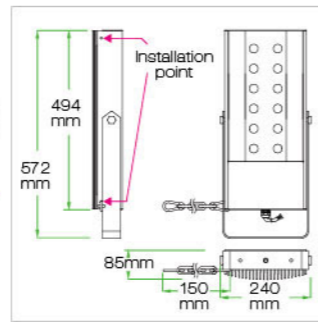


Standard

100 - 240V AC
(Power Factor: ≥ 0.9)
Operating Temp: -40°C to $+50^{\circ}\text{C}$
 -65°C to $+50^{\circ}\text{C}$

24V DC
(for Solar Power System)
Operating Temp: -40°C to $+50^{\circ}\text{C}$

Weight **307 oz. (8.7 kg)**
Lifespan **50,000 hours**
Warranty **3 Years Limited**



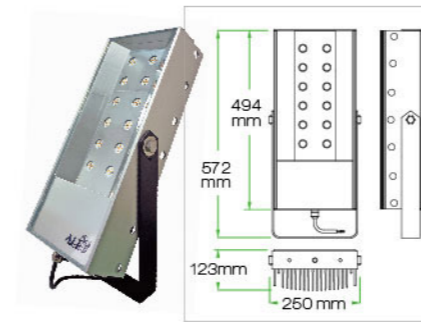
Industrial Plus

100 - 240V AC
(Power Factor: ≥ 0.9)
Operating Temp: -40°C to $+50^{\circ}\text{C}$
 -65°C to $+50^{\circ}\text{C}$

24V DC
(for Solar Power System)
Operating Temp: -40°C to $+50^{\circ}\text{C}$

Steel Chain **150cm**
Weight **325 oz. (9.2 kg)**
Lifespan **50,000 hours**
Warranty **5 Years Limited**

Floodlight - F04T200

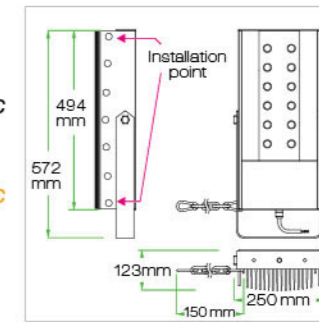


Standard

100 - 240V AC
(Power Factor: ≥ 0.9)
Operating Temp: -40°C to $+50^{\circ}\text{C}$

24V DC
(for Solar Power System)
Operating Temp: -40°C to $+50^{\circ}\text{C}$

Weight **399 oz. (11.3 kg)**
Lifespan **50,000 hours**
Warranty **3 Years Limited**



Industrial Plus

100 - 240V AC
(Power Factor: ≥ 0.9)
Operating Temp: -40°C to $+50^{\circ}\text{C}$

24V DC
(for Solar Power System)
Operating Temp: -40°C to $+50^{\circ}\text{C}$

Steel Chain **150cm**
Weight **416 oz. (11.8 kg)**
Lifespan **50,000 hours**
Warranty **5 Years Limited**

CHIPSET LUMINOUS FLUX

All Chipset Luminous Flux Data are indicated in max values

Chipsets		XT-E
Power Consumption	145 Watts	
Working Voltage	100 - 240V AC, 24V DC	
Beam Angle	15° / 20° / 30° / 45° / 60° / 90° / 130° (120° x 50°) / (120° x 60°) / (135° x 50°)	
True White	CRI 70	16800 lm
Natural White	CRI 80	14700 lm
Warm White	CRI 80	12000 lm
Warm White	CRI 80	10500 lm
Warm White	CK: 2200K	

Chipsets		XB-D
Power Consumption	145 Watts	
Working Voltage	100 - 240V AC, 24V DC	
Beam Angle	10° / 20° / 30° / 45° / 60° / 90° / 130° / 135° / (120°x50°) / (120°x60°) / (135°x50°)	
True White	CRI 80	13800 lm
Natural White	CRI 80	11700 lm
Warm White	CRI 80	10500 lm

CHIPSET LUMINOUS FLUX

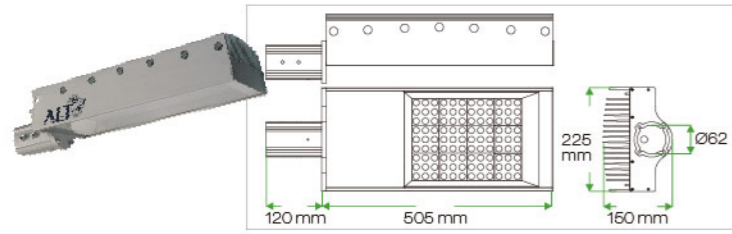
All Chipset Luminous Flux Data are indicated in max values

Chipsets		XT-E
Power Consumption	192 Watts	
Working Voltage	100 - 240V AC, 24V DC	
Beam Angle	15° / 20° / 30° / 45° / 60° / 90° / 130° (120° x 50°) / (120° x 60°) / (135° x 50°)	
True White	CRI 70	21000 lm
Natural White	CRI 80	18500 lm
Warm White	CRI 80	15000 lm
Warm White	CRI 80	13200 lm
Warm White	CK: 2200K	

Chipsets		XP-G		Rebel ES		XP-E		Rebel
Power Consumption	145 Watts				145 Watts			
Working Voltage	100 - 240V AC, 24V DC				100 - 240V AC, 24V DC			
Beam Angle	15° / 24° / 30° / 50° / 60° / 90° / 130° / 135° / (120°x50°) / (120°x60°) / (135°x50°)				10° / 20° / 30° / 45° / 60° / 90° / 130° / 135° / (120°x50°) / (120°x60°) / (135°x50°)			
True White	CRI 80	15300 lm		10800 lm				
Natural White	CRI 80	13200 lm		9600 lm				
Warm White	CRI 80	11100 lm		7800 lm				

Chipsets			Chipsets		
Power Consumption	145 Watts		Power Consumption	150Watts	
Working Voltage	100 - 240V AC, 24V DC		Working Voltage	100 - 240V AC, 24V DC	
Beam Angle	130°		Beam Angle	130°	
True White	CRI 65	10800 lm	True White	CRI 70	9600 lm
Natural White	CRI 80	10000 lm	Natural White	CRI 70	9600 lm
Warm White	CRI 82	7500 lm	Warm White	CRI 70	7200 lm

Street Light - S04T300



100 - 240V AC
(Power Factor: ≥ 0.9)
Operating Temp: -40°C to +50°C

Weight 399 oz. (11.3 kg)
Lifespan 50,000 hours
Warranty 3 Years Limited
Applicable Pole Dimension 42-62mm

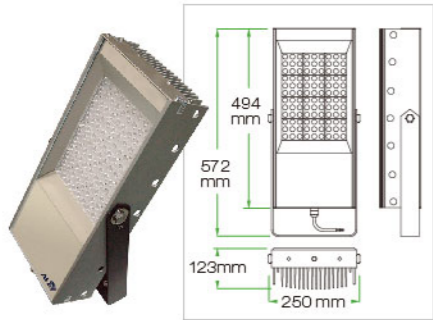
Street Light - S04T500



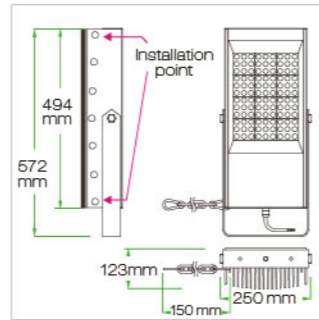
100 - 240V AC
(Power Factor: ≥ 0.9)
Operating Temp: -40°C to +50°C

Weight 399 oz. (11.3 kg)
Lifespan 50,000 hours
Warranty 3 Years Limited
Applicable Pole Dimension 42-62mm

Floodlight - F04T300

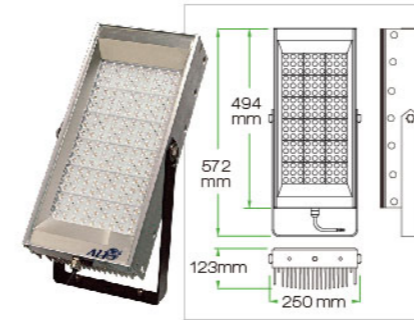


Standard
100 - 240V AC
(Power Factor: ≥ 0.9)
Operating Temp: -40°C to +50°C
Weight 399 oz. (11.3 kg)
Lifespan 50,000 hours
Warranty 3 Years Limited

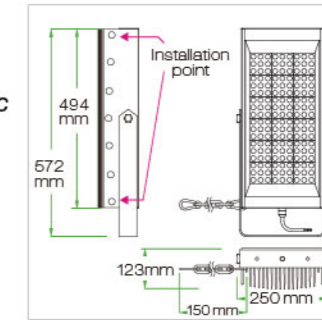


Industrial Plus
100 - 240V AC
(Power Factor: ≥ 0.9)
Operating Temp: -40°C to +50°C
Steel Chain 150cm
Weight 416 oz. (11.8 kg)
Lifespan 50,000 hours
Warranty 5 Years Limited

Floodlight - F04T500



Standard
100 - 240V AC
(Power Factor: ≥ 0.9)
Operating Temp: -40°C to +50°C
Weight 399 oz. (11.3 kg)
Lifespan 50,000 hours
Warranty 3 Years Limited



Industrial Plus
100 - 240V AC
(Power Factor: ≥ 0.9)
Operating Temp: -40°C to +50°C
Steel Chain 150cm
Weight 416 oz. (11.8 kg)
Lifespan 50,000 hours
Warranty 5 Years Limited

CHIPSET LUMINOUS FLUX

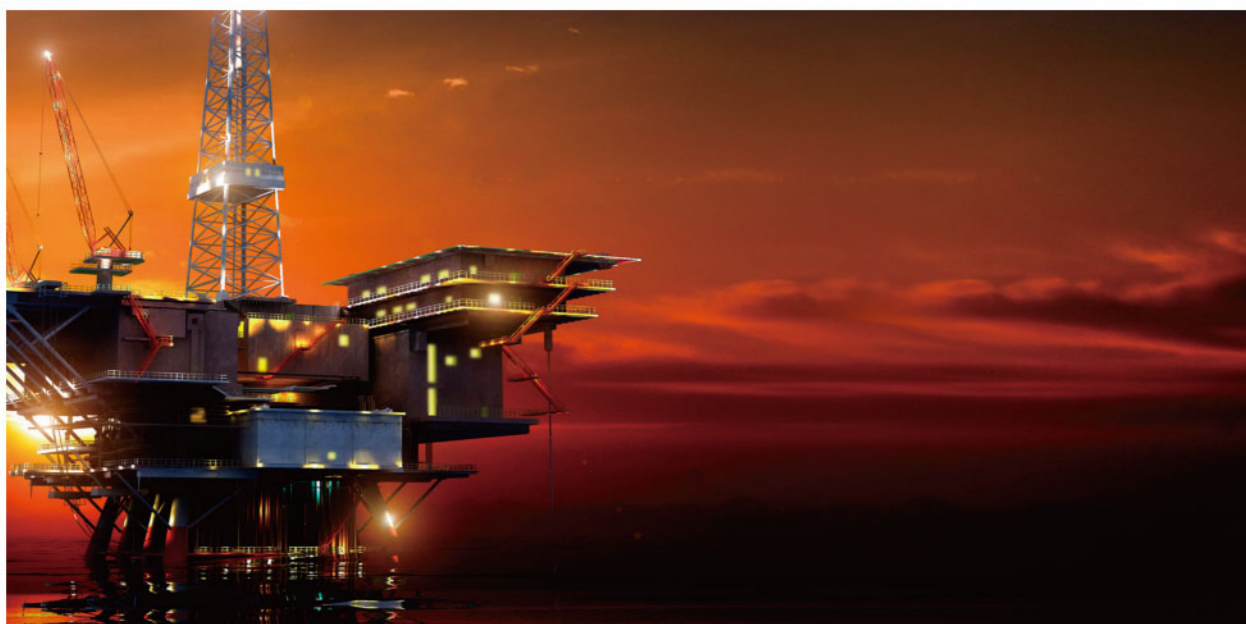
All Chipset Luminous Flux Data are indicated in max values

Chipsets	CREE® LEDs XT-E	
Power Consumption	285 Watts	
Beam Angle	20° / 30° / 45° / 60° / 90° / 130°	
True White	CRI 70	33000 lm
Natural White	CRI 80	28000 lm
Warm White	CRI 80	24000 lm
Warm White CK: 2200K	CRI 80	21000 lm

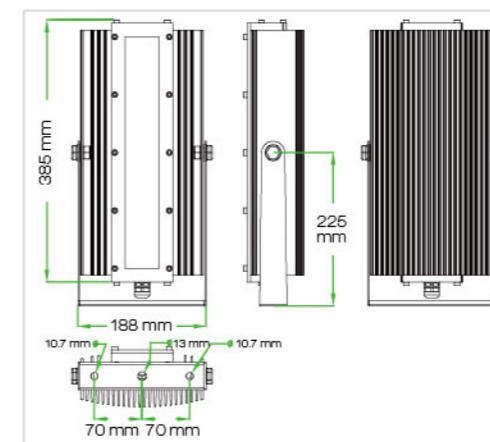
CHIPSET LUMINOUS FLUX

All Chipset Luminous Flux Data are indicated in max values

Chipsets	CREE® LEDs XT-E	
Power Consumption	480 Watts	
Beam Angle	20° / 30° / 45° / 60° / 90° / 130°	
True White	CRI 70	58000 lm
Natural White	CRI 80	50500 lm
Warm White	CRI 80	41500 lm



Anti-Explosive Lamp



Working Voltage	100 - 240V AC
Power Factor	> 0.9
Weight	254 oz. (7.2 kg)
Operating Temp	-40°C to +50°C
Lifespan	50,000 hours
Warranty	3 Years Limited
Ex Mark	Ex d IIB T5 Ex d IIC T5 <small>*Certificate under progress</small>

FEATURES

The anti-explosive E01 series can be safely used in hazardous locations such as power plants, oil and natural gas drilling stations and refineries, etc. Integrated with the CREE XML chipset, the anti-explosive E01 series can provide an estimated 75% energy savings while maintaining the same level of brightness as your standard HID and MH lights.

APPLICATIONS

- Power plants
- Refineries
- Offshore drilling platforms
- Petroleum & gas stations
- Emergency management
- Environmental services
- Chemical plants
- Aviation/aerospace
- Paint coating work stations
- Marine/ship yards
- Mining
- Film/entertainment

CHIPSET LUMINOUS FLUX

All Chipset Luminous Flux Data are indicated in max values

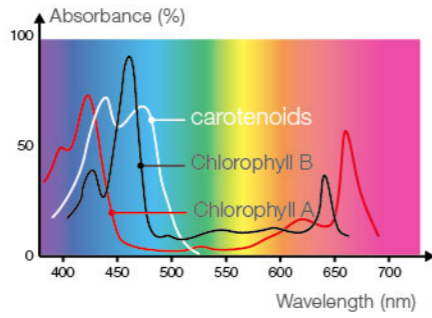
Chipsets	CREE LEDs XM-L	
Type	E01T100	
Power Consumption	92 Watts	
Beam Angle	20° / 60° / 90° / 130°	
True White	CRI 65	10200 lm
Natural White	CRI 75	8800 lm
Warm White	CRI 80	7400 lm



FEATURES

- Integration of a patented aerospace structural design ensures optimal cooling.
- High stability lighting in any climate thanks to current fluctuation protection.
- Original high-power LED chips, with multiple power supply circuit design options, offer incredible added value.
- PFC values up to 0.9 offering a stable voltage output, thus reducing energy consumption.
- IP68 waterproof standard.
- Red and blue wavelengths are ideal for growing and flowering of plants.

Chlorophyll Chart:



For plant growth, the first stage of photosynthesis is absorbing light by chlorophyll. Chlorophyll A&B and carotene are three major elements to affect plant growth. The two ideal wavelengths for photosynthesis are Blue ray 400-500 nm and Red ray 600-700 nm. Scientifically proved Blue ray and Red ray are the most efficient for plant growth.

Wavelength	Color	Effects on plant illumination
400-520 nm	Blue	Maximize the Chlorophyll and carotenoids absorbability, highest effect on photosynthesis
610-720nm	Red	Low absorbability of Chlorophyll, notable affect to Chlorophyll and light cycle effect

G19 Globe



Power Consumption: 6 Watts
Chipset Luminous Flux: 180 lm
Base: GX5.3 / GU5.3, B22D, GU10 / GZ10, EZ10, E11, E12, E14, E17, E26 / 24 (US), E26 / 27 (EU), BA15S, BA15D
Working Voltage: 100 - 240V AC, 12V AC/DC
Operating Temp: -20°C to +40°C
Beam Angle: 180°

A19 Bulb



Power Consumption: 6 Watts
Chipset Luminous Flux: 180 lm
Base: B22D, GU10 / GZ10, EZ10, E11, E12, E14, E17, E26 / 24 (US), E26 / 27 (EU), BA15S, BA15D
Working Voltage: 100 - 240V AC
Operating Temp: -20°C to +40°C
Beam Angle: 180°

Floodlight



Working Voltage: 100 - 240V AC
Operating Temp: -40°C to +50°C
Beam Angle: 10°, 20°, 24°, 30°, 45°, 60°, 90°, 130°, 135°, (120°x50°), (120°x60°), (135°x50°)

Grow Light - F02T50	Chipsets	EPistar	CREE XP-E	LUXE IT Rebel
	Power Consumption	35 Watts	38 Watts	38 Watts
	Chipset Luminous Flux	605 lm	1100 lm	1100 lm
Grow Light - F02T100	Chipsets	EPistar	CREE XP-E	LUXE IT Rebel
	Power Consumption	60 Watts	76 Watts	76 Watts
	Chipset Luminous Flux	1210 lm	2200 lm	2200 lm
Grow Light - F02T150	Chipsets	EPistar	CREE XP-E	LUXE IT Rebel
	Power Consumption	100 Watts	115 Watts	115 Watts
	Chipset Luminous Flux	1815 lm	3300 lm	3300 lm

INDEX - BEAM ANGLE

Indoor Series

Asteria series	10°	15°	20°	24°	25°	30°	38°	40°	45°	50°	60°	72°	80°	90°	100°	110°	120°	130°	135°	180°	270°	360°	120°x50°	120°x60°	135°x50°	
MR11						✓				✓																
MR16																										
-V7									✓					✓	✓		✓									
-V6																										
-V5						✓	✓		✓	✓				✓	✓		✓									
-V4						✓	✓		✓	✓				✓	✓		✓									
-V3						✓	✓		✓	✓				✓	✓		✓									
-V2.5																										
-V2									✓					✓												
-V1							✓						✓	✓												
G19 Globe																										
-V7																										
-V6																										
-V5																										
-V4																										
-V3																										
-V2																										
-V1																										
PAR30 (IP68)							✓	✓		✓	✓	✓			✓	✓										
PAR30							✓	✓							✓	✓										
PAR38 (IP68)								✓																		
PAR38																										
BR30							✓	✓		✓	✓				✓	✓										
BR40								✓	✓		✓	✓			✓	✓										

Metis series

Chandelier Light	10°	15°	20°	24°	25°	30°	38°	40°	45°	50°	60°	72°	80°	90°	100°	110°	120°	130°	135°	180°	270°	360°	120°x50°	120°x60°	135°x50°	
A19 Bulb																										
-V7																										
-V6																										
-V5																										
-V4																										
-V3																										
-V2																										
-V1																										
A55 Bulb																										

Orion series

LED T8 Tube	10°	15°	20°	24°	25°	30°	38°	40°	45°	50°	60°	72°	80°	90°	100°	110°	120°	130°	135°	180°	270°	360°	120°x50°	120°x60°	135°x50°	
Recessed Light																										
Ceiling Light	✓	✓	✓	✓		✓				✓	✓	✓														
AR111																										
PAR36	✓	✓	✓	✓		✓				✓	✓	✓														
4" Down Light																										

Dimmable Series

Orion series	10°	15°	20°	24°	25°	30°	38°	40°	45°	50°	60°	72°	80°	90°	100°	110°	120°	130°	135°	180°	270°	360°	120°x50°	120°x60°	135°x50°	
AR111 Dimmable																										
Asteria series	10°	15°	20°	24°	25°	30°	38°	40°	45°	50°	60°	72°	80°	90°	100°	110°	120°	130°	135°	180°	270°	360°	120°x50°	120°x60°	135°x50°	
MR11 Dimmable																										
MR16 Dimmable																										
G19 Globe Dimmable																										
BR Dimmable																										
PAR30 (IP68) Dimmable																										
PAR30 Dimmable																										
PAR38 (IP68) Dimmable																										
PAR38 Dimmable																										
PAR38 Dimmable																										
Metis series	10°	15°	20°	24°	25°	30°	38°	40°	45°	50°	60°	72°	80°	90°	100°	110°	120°	130°	135°	180°	270°	360°	120°x50°	120°x60°	135°x50°	
Spotlight Dimmable																										
A19 Bulb Dimmable																										
Chandelier Light Dimmable																										
A55 Bulb Dimmable																										

Outdoor Series

Lodestar series	10°	15°	20°	24°	25°	30°	38°	40°	45°	50°	60°	72°	80°	90°	100°	110°	120°	130°	135°	180°	270°	360°	120°x50°	120°x60°	135°x50°	
Street Light - S01																										
Street Light - S02	✓	✓	✓	✓		✓				✓	✓	✓			✓										✓	✓
Street Light - S04																									✓	✓
Floodlight - F01																										
Floodlight - F02	✓	✓	✓	✓		✓				✓	✓	✓			✓										✓	✓
Floodlight - F04																									✓	✓
Grow Light	✓																								✓	✓

Theseus series

Anti Explosion lamp	10°	15°	20°	24°	25°	30°	38°	40°	45°	50°	60°	72°	80°	90°	100°	110°	120°	130°	135°	180°	270°
---------------------	-----	-----	-----	-----	-----	-----	-----	-----	-----	-----	-----	-----	-----	-----	------	------	------	------	------	------	------