



*Pursuit of perfection environmental purity.*



Aeon Lighting Technology Inc.

ALILED®

GOOD DESIGN  
AWARD 2012



reddot design award  
winner 2011



# High Power LED Lighting Solutions

[www.aeonlighting.com](http://www.aeonlighting.com)

2014 ver 01 (CHIPSET LUMINOUS FLUX)



Aeon Lighting Technology Inc.

16F-8, No.2, Jianba Rd., Zhonghe Dist.,  
New Taipei City 235, Taiwan

TEL : +886-2-8226-1289

E-mail : [info@aeonlighting.com](mailto:info@aeonlighting.com)



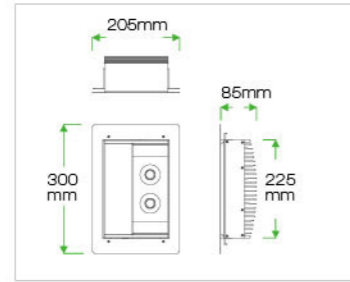
ISO 9001

Two Million US Dollars Product Liability Insurance  
Copyright © 2014 Aeon Lighting Technology Inc.  
ver 01 (CHIPSET LUMINOUS FLUX) Mar.





**R02t25**



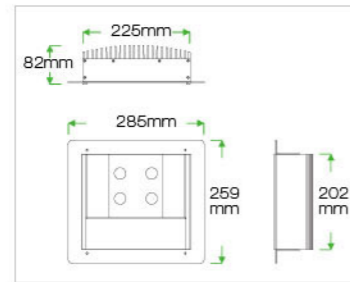
Working Voltage 100 - 240V AC  
Power Factor ≥ 0.9  
Weight 70.6 oz. ( 2 kg )  
Operating Temp -40°C to +50°C  
Lifespan 50,000 hours  
Warranty 3 Years Limited

Lighting Direction  
Single Lighting Direction

Flameproof , Fire resistant Board  
Material : Optional  
Dimension : 600x600 (mm)  
Thickness : 8 (mm)



**R02t50**



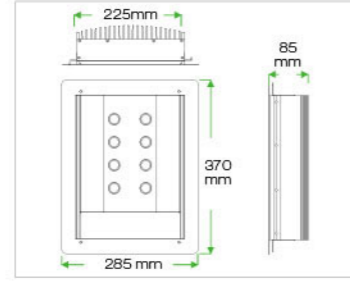
Working Voltage 100 - 240V AC  
Power Factor ≥ 0.9  
Weight 141 oz. ( 4 kg )  
Operating Temp -40°C to +50°C  
Lifespan 50,000 hours  
Warranty 3 Years Limited

Lighting Direction  
Single Lighting Direction

Flameproof , Fire resistant Board  
Material : Optional  
Dimension : 600x600 (mm)  
Thickness : 8 (mm)



**R02t75**



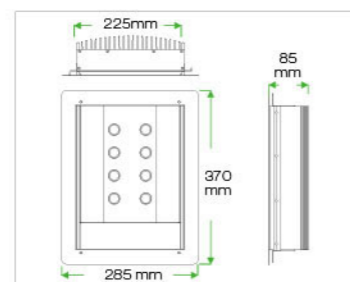
Working Voltage 100 - 240V AC  
Power Factor ≥ 0.9  
Weight 141 oz. ( 4 kg )  
Operating Temp -40°C to +50°C  
Lifespan 50,000 hours  
Warranty 3 Years Limited

Lighting Direction  
Single Lighting Direction

Flameproof , Fire resistant Board  
Material : Optional  
Dimension : 600x600 (mm)  
Thickness : 8 (mm)



**R02t100**



Working Voltage 100 - 240V AC  
Power Factor ≥ 0.9  
Weight 141 oz. ( 4 kg )  
Operating Temp -40°C to +50°C  
Lifespan 50,000 hours  
Warranty 3 Years Limited

Lighting Direction  
Single Lighting Direction

Flameproof , Fire resistant Board  
Material : Optional  
Dimension : 600x600 (mm)  
Thickness : 8 (mm)



Chipsets		CREE LED XB-D					
Type		R02t25	R02t50	R02t75	R02t100		
Power Consumption	25 Watts	46 Watts	DLC 46 Watts	72 Watts	92 Watts	DLC 92 Watts	
Beam Angle		10° / 20° / 30° / 45° / 60° / 90° / 130°					
True White	CRI 80	2300 lm	4600 lm	5100 lm	6900 lm	9200 lm	10200 lm
Natural White	CRI 80	1950 lm	3900 lm		5850 lm	7800 lm	
Warm White	CRI 80	1750 lm	3500 lm		5250 lm	7000 lm	

CHIPSET LUMINOUS FLUX

All Chipset Luminous Flux Data are indicated in max values

Chipsets		CREE LED XT-E			
Type		R02t25	R02t50	R02t75	R02t100
Power Consumption		25 Watts	46 Watts	72 Watts	92 Watts
Beam Angle		15° / 20° / 30° / 45° / 60° / 90° / 130°			
True White	CRI 70	2800 lm	5600 lm	8400 lm	11200 lm
Natural White	CRI 80	2450 lm	4900 lm	7350 lm	9800 lm
Warm White	CRI 80	2000 lm	4000 lm	6000 lm	8000 lm
Warm White	CRI 80	1750 lm	3500 lm	5250 lm	7000 lm

Chipsets		CREE LED XP-G			
Type		R02t25	R02t50	R02t75	R02t100
Power Consumption		25 Watts	46 Watts	72 Watts	92 Watts
Beam Angle		15° / 24° / 30° / 50° / 60° / 90° / 130°			
True White	CRI 80	2550 lm	5100 lm	7650 lm	10200 lm
Natural White	CRI 80	2200 lm	4400 lm	6600 lm	8800 lm
Warm White	CRI 80	1850 lm	3700 lm	5550 lm	7400 lm

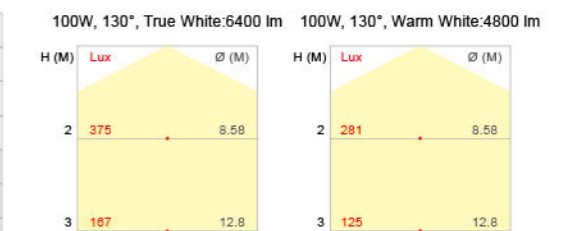
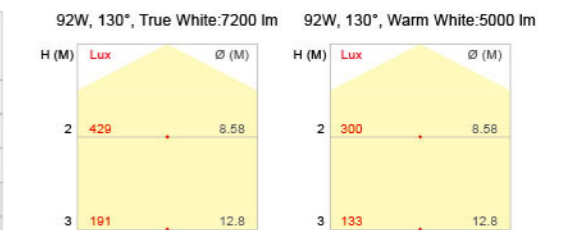
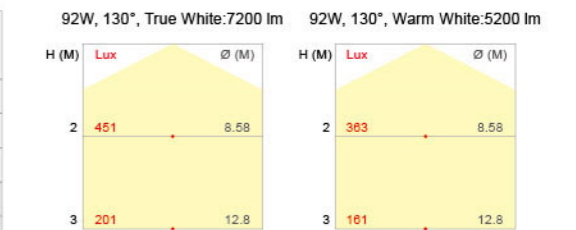
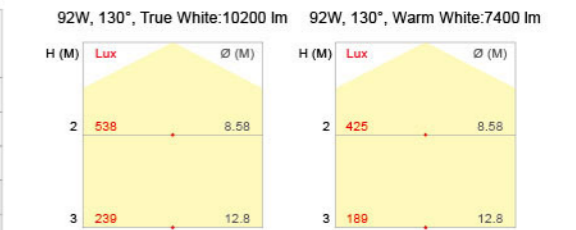
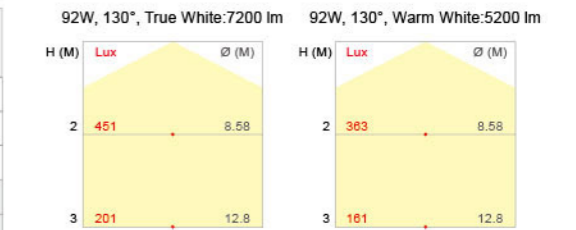
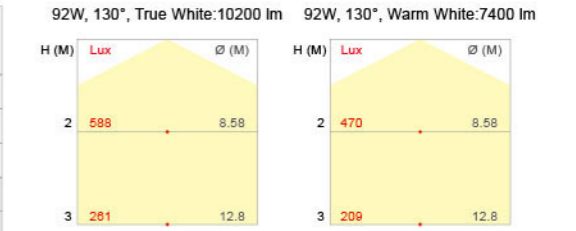
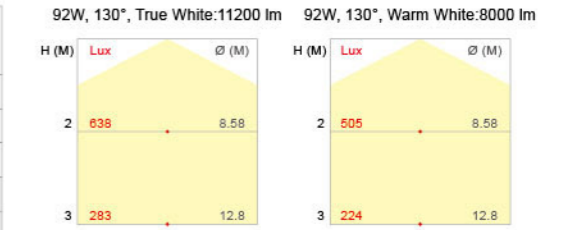
Chipsets		CREE LED XP-E					
Type		R02t25	R02t50	R02t75	R02t100		
Power Consumption	25 Watts	46 Watts	DLC 46 Watts	72 Watts	92 Watts	DLC 92 Watts	
Beam Angle		10° / 20° / 30° / 45° / 60° / 90° / 130°					
True White	CRI 80	1800 lm	3600 lm	5400 lm	7200 lm	7000 lm	
Natural White	CRI 80	1600 lm	3200 lm		4800 lm	6400 lm	
Warm White	CRI 80	1300 lm	2600 lm		3900 lm	5200 lm	

Chipsets		LUXEON Rebel ES			
Type		R02t25	R02t50	R02t75	R02t100
Power Consumption		25 Watts	46 Watts	72 Watts	92 Watts
Beam Angle		15° / 24° / 30° / 50° / 60° / 90° / 130°			
True White	CRI 80	2550 lm	5100 lm	7650 lm	10200 lm
Natural White	CRI 80	2200 lm	4400 lm	6600 lm	8800 lm
Warm White	CRI 80	1850 lm	3700 lm	5550 lm	7400 lm

Chipsets		LUXEON Rebel			
Type		R02t25	R02t50	R02t75	R02t100
Power Consumption		25 Watts	46 Watts	72 Watts	92 Watts
Beam Angle		10° / 20° / 30° / 45° / 60° / 90° / 130°			
True White	CRI 80	1800 lm	3600 lm	5400 lm	7200 lm
Natural White	CRI 80	1600 lm	3200 lm	4800 lm	6400 lm
Warm White	CRI 80	1300 lm	2600 lm	3900 lm	5200 lm

Chipsets		BRIDGELUX			
Type		R02t25	R02t50	R02t75	R02t100
Power Consumption		30 Watts	46 Watts	72 Watts	92 Watts
Beam Angle		130°			
True White	CRI 65	2500 lm	3600 lm	5400 lm	7200 lm
Natural White	CRI 80	2000 lm	3400 lm	5100 lm	6800 lm
Warm White	CRI 82	1800 lm	2500 lm	3750 lm	5000 lm

Chipsets		EPISTAR			
Type		R02t25	R02t50	R02t75	R02t100
Power Consumption		25 Watts	50 Watts	75 Watts	100 Watts
Beam Angle		130°			
True White	CRI 70	1600 lm	3600 lm	4800 lm	6400 lm
Natural White	CRI 70	1600 lm	3600 lm	4800 lm	6400 lm
Warm White	CRI 70	1200 lm	2400 lm	3600 lm	4800 lm



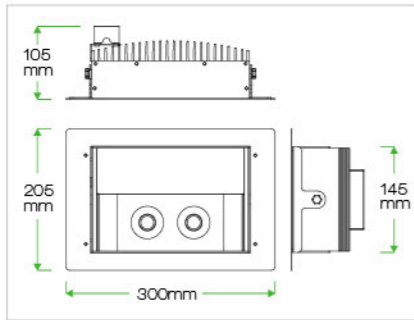


**APPLICATIONS**

- Office Lighting.
- Boutique Lighting.
- Showcase Lighting.
- Shop Lighting



Ceiling Light  
**R20t25a**

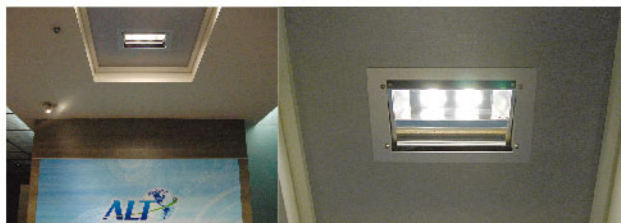


Lighting Direction **Adjustable Lighting Direction**  
 Working Voltage **100 - 240V AC**  
 Power Factor **≥ 0.9**  
 Weight **70.6 oz. ( 2 kg )**  
 Operating Temp **-40°C to +50°C**  
 Lifespan **50,000 hours**  
 Warranty **3 Years Limited**

 **Flameproof , Fire resistant Board**  
 Material : *Optional*  
 Dimension : **600x600 (mm)**  
 Thickness : **8 (mm)**

**FEATURES**

Like any other ALT product, ALT's Orion Ceiling Light is also a truly 100% green product with it's high performance in energy saving. Orion Ceiling Lights is the best replacement for traditional halogen lamps, such as AR111, offering more than 60% energy saving and a visually pleasing functional source of light. Different from the traditional lighting system, Orion Ceiling Light Series helps to promote products in the department store, art gallery, jewellery stores, and other elegant boutiques which makes them look astonishingly better. The cold light source will protect your products from the heat damage, and also enhance their appearance. Orion Ceiling Light will give designers the ability to control specific levels of lighting to attain the desired ambiance.



AR111 ceiling light

ALTLED Ceiling Light

**CHIPSET LUMINOUS FLUX**

All Chipset Luminous Flux Data are indicated in max values

Chipsets	<b>CREE</b> XT-E	
Type	R20t25a	
Power Consumption	25 Watts	
Beam Angle	15° / 20° / 30° / 45° / 60° / 90° / 130°	
True White	CRI 70	2800 lm
Natural White	CRI 80	2450 lm
Warm White	CRI 80	2000 lm
Warm White	CRI 80	1750 lm
		<i>CK: 2200K</i>



Chipsets	<b>CREE</b> XP-G	
Type	R20t25a	
Power Consumption	25 Watts	
Beam Angle	15° / 24° / 30° / 50° / 60° / 90° / 130° / 135°	
True White	CRI 80	2550 lm
Natural White	CRI 80	2200 lm
Warm White	CRI 80	1800 lm



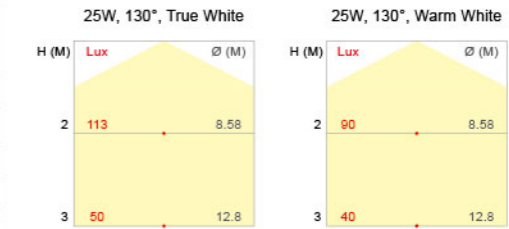
Chipsets	<b>CREE</b> XP-E	<b>CREE</b> XB-D
Type	R20t25a	
Power Consumption	25 Watts	
Beam Angle	10° / 20° / 30° / 45° / 60° / 90° / 130° / 135°	
True White	CRI 80	2300 lm
Natural White	CRI 80	1950 lm
Warm White	CRI 80	1750 lm



Chipsets	LIGHT BY <b>LUXEON</b> Rebel ES	
Type	R20t25a	
Power Consumption	25 Watts	
Beam Angle	15° / 24° / 30° / 50° / 60° / 90° / 130° / 135°	
True White	CRI 80	2550 lm
Natural White	CRI 80	2200 lm
Warm White	CRI 80	1800 lm



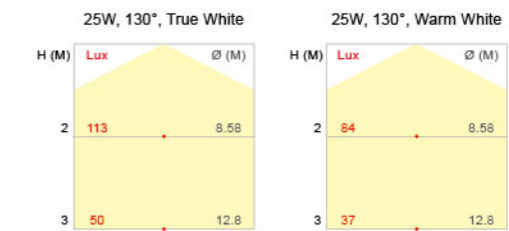
Chipsets	LIGHT BY <b>LUXEON</b> Rebel	
Type	R20t25a	
Power Consumption	25 Watts	
Beam Angle	10° / 20° / 30° / 45° / 60° / 90° / 130° / 135°	
True White	CRI 80	1800 lm
Natural White	CRI 80	1600 lm
Warm White	CRI 80	1300 lm



Chipsets	<b>BRIDGELUX</b>	
Type	R20t25a	
Power Consumption	30 Watts	
Beam Angle	130°	
True White	CRI 65	2500 lm
Natural White	CRI 80	2000 lm
Warm White	CRI 82	1800 lm



Chipsets	<b>EPISTAR</b>	
Type	R20t25a	
Power Consumption	25 Watts	
Beam Angle	130°	
True White	CRI 70	1600 lm
Natural White	CRI 70	1600 lm
Warm White	CRI 70	1200 lm





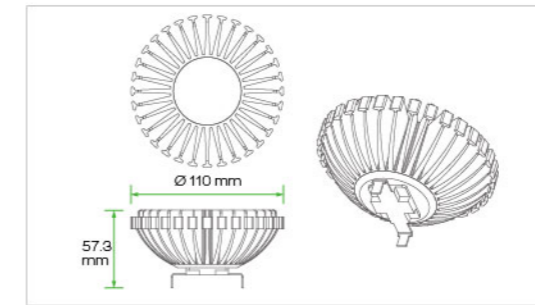
**APPLICATIONS**

- Office Lighting.
- Boutique Lighting.
- Showcase Lighting.
- Shop Lighting

**FEATURES**

ALT AR111 LED uses aerospace industry level computer cooling technology, in addition to having the longest span life of 50,000 hours, and chips from industry leaders Cree and LUXEON. Replacing a 100W traditional halogen bulb to a 12W ALT AR111 LED gives, almost, a 90% energy savings. ALT Orion Series AR111 creates a more enjoyable shopping experience and keeps the finest moment for all works of art.

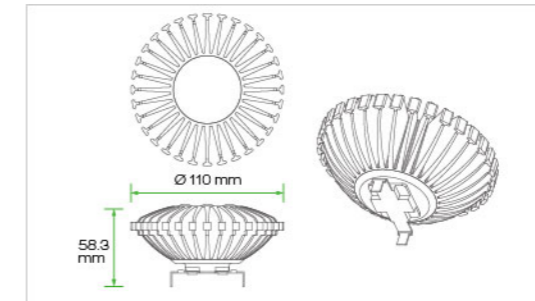
**AR111**



Working Voltage 12V AC/DC  
 Base GX53  
 Weight 8.82 oz. ( 250g )  
 Operating Temp -20°C to +40°C  
 Lifespan 50,000 hours  
 Warranty 3 Years Limited  
 Optional : AC Adapter



**PAR36**



Working Voltage 12V AC/DC  
 Base GX53  
 Weight 8.82 oz. ( 250g )  
 Operating Temp -20°C to +40°C  
 Lifespan 50,000 hours  
 Warranty 3 Years Limited  
 Optional : AC Adapter



**CHIPSET LUMINOUS FLUX**

All Chipset Luminous Flux Data are indicated in max values

Chipsets	CREE LEDs XT-E	
Power Consumption	12 Watts	15 Watts
AR111 Beam Angle *50%	20° / 30° / 45° / 60°	
PAR36 Beam Angle *50%	20° / 30° / 45° / 60°	
True White CRI 70	1250 lm	1650 lm
Natural White CRI 80	1100 lm	1350 lm
Warm White CRI 80	970 lm	1200 lm
Warm White CRI 80	850 lm	1050 lm

Chipsets	EPISTAR	
Power Consumption	12 Watts	
AR111 Beam Angle *50%	45° / 60° / 90°	
PAR36 Beam Angle *50%	45° / 60° / 90°	
True White CRI 98	700 lm	
Warm White CRI 98	550 lm	

Chipsets	CREE LEDs XP-G		CREE LEDs XP-E	
	12 Watts	15 Watts	12 Watts	15 Watts
AR111 Beam Angle *50%	24° / 30° / 50° / 60° / 90° / 135°		20° / 30° / 45° / 60° / 90° / 135°	
PAR36 Beam Angle *50%	15° / 24° / 30° / 50° / 60° / 90° / 135°		10° / 20° / 30° / 45° / 60° / 90° / 135°	
True White CRI 80	1150 lm	1400 lm	980 lm	1150 lm
Natural White CRI 80	970 lm	1200 lm	850 lm	990 lm
Warm White CRI 80	850 lm	1070 lm	750 lm	870 lm

Chipsets	LUXEON Rebel ES		LUXEON Rebel	
	12 Watts	15 Watts	12 Watts	15 Watts
AR111 Beam Angle *50%	24° / 30° / 50° / 60° / 90° / 135°		20° / 30° / 45° / 60° / 90° / 135°	
PAR36 Beam Angle *50%	15° / 24° / 30° / 50° / 60° / 90° / 135°		10° / 20° / 30° / 45° / 60° / 90° / 135°	
True White CRI 80	1150 lm	1400 lm	980 lm	1150 lm
Natural White CRI 80	970 lm	1200 lm	850 lm	990 lm
Warm White	CRI 80	850 lm	750 lm	870 lm
	CRI 90	680 lm	860 lm	600 lm



**APPLICATIONS**

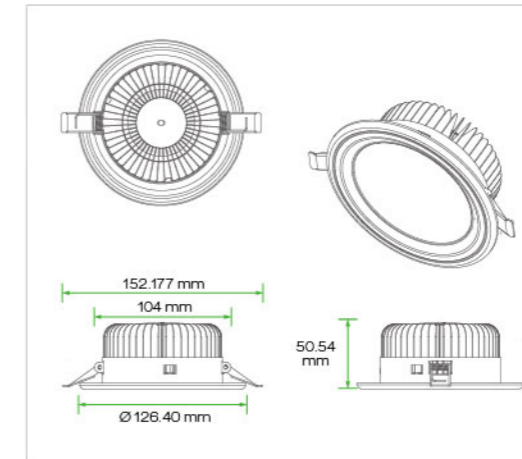
- Office Lighting.
- Boutique Lighting.
- Showcase Lighting.
- Shop Lighting

**FEATURES**

ALT's 4inch Downlight can be presented as a strong, smart and efficient light. ALT's 4inch Downlight series guarantees the outstanding efficiency and quality of High Power Products. All these make our 4inch Downlight products ideal for general business and decorative lighting purpose, including shop Lighting, Hotel lighting, and Commercial Applications. You can simply install it within the showcase of the boutique, and add up bonus for the display.

Also, Orion 4" Downlight series can easily and smartly help you lessen energy consumption up to 90%, it will enhance your business profitability and help the environment to flourish. 4inch Downlight series certainly be the product to create a more beautiful and efficient world.

4" Downlight



- Working Voltage **17V DC**
- Weight **14.10 oz. ( 400g )**
- Operating Temp **-40°C to +40°C**
- Lifespan **50,000 hours**
- Warranty **3 Years Limited**

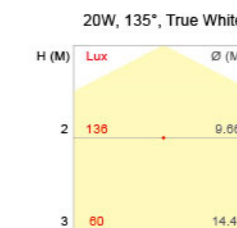
Optional : AC Adapter, dimmable version available



**CHIPSET LUMINOUS FLUX**

All Chipset Luminous Flux Data are indicated in max values

Chipsets	<b>CREE LEDs XT-E</b>	
Power Consumption	20 Watts	
4" Downlight Beam Angle <sup>+10%</sup>	45° / 60° / 80° / 135°	
True White	CRI 70	2000 lm
Natural White	CRI 80	1650 lm
Warm White	CRI 80	1450 lm
Warm White <i>CK: 2200K</i>	CRI 80	1250 lm



Chipsets	<b>CREE LEDs XB-D</b>	
Power Consumption	20 Watts	
4" Downlight Beam Angle <sup>+10%</sup>	45° / 60° / 80° / 135°	
True White	CRI 70	1850 lm
Natural White	CRI 80	1550 lm
Warm White	CRI 80	1350 lm

