



Aeon Lighting Technology Inc.



Pursuit of perfection environmental purity.



High Power LED Lighting Solutions

www.aeonlighting.com

2014 ver 01 (CHIPSET LUMINOUS FLUX)



Aeon Lighting Technology Inc.

16F-8, No.2, Jianba Rd., Zhonghe Dist.,
New Taipei City 235, Taiwan

TEL : +886-2-8226-1289

E-mail : info@aeonlighting.com



ISO 9001

Two Million US Dollars Product Liability Insurance
Copyright © 2014 Aeon Lighting Technology Inc.
ver 01 (CHIPSET LUMINOUS FLUX) Mar.



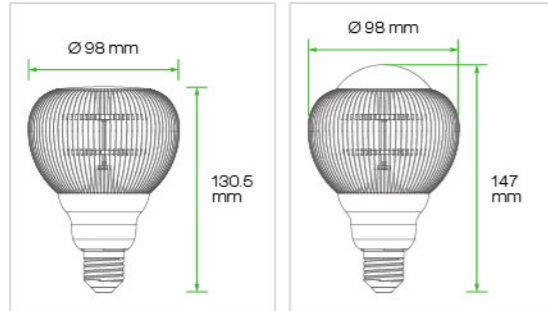
BR30

E26 / 24 (US)



Beam Angle : 25° / 38° / 45° / 120° / 135°

Beam Angle : 60° / 72° / 100°



Working Voltage **100 - 240V AC**
(Power Factor: ≥ 0.9)
24V DC
(Power Factor: 1)
Weight **9.2 oz. (260 g)**
Operating Temp **-20°C to +40°C**
Lifespan **40,000 hours**
Warranty **3 Years Limited**

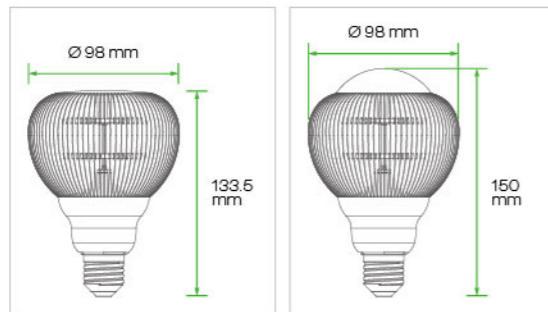
BR30

E26 / 27 (EURO)



Beam Angle : 25° / 38° / 45° / 120° / 135°

Beam Angle : 60° / 72° / 100°



Working Voltage **100 - 240V AC**
(Power Factor: ≥ 0.9)
24V DC
(Power Factor: 1)
Weight **9.2 oz. (260 g)**
Operating Temp **-20°C to +40°C**
Lifespan **40,000 hours**
Warranty **3 Years Limited**

COLOR

True White Natural White Warm White



CHIPSET LUMINOUS FLUX

All Chipset Luminous Flux Data are indicated in max values

Chipsets	LUXEON Rebel		
	10 Watts	15 Watts	15 Watts
Power Consumption	10 Watts	15 Watts	15 Watts
Beam Angle ^{*10%}	120°	72°	120°
True White	CRI 80	800 lm	1000 lm
Natural White	CRI 80	720 lm	1000 lm
Warm White	CRI 80	550 lm	750 lm

Chipsets	CREE LEDs XT-E	
	15 Watts	15 Watts
Power Consumption	15 Watts	15 Watts
Beam Angle ^{*10%}	100°	135°
True White	CRI 70	1850 lm
Natural White	CRI 80	1500 lm
Warm White	CRI 80	1350 lm
Warm White Ck: 2200K	CRI 80	1200 lm

Chipsets	CREE LEDs XP-E			CREE LEDs XP-G		
	10 Watts	15 Watts	15 Watts	15 Watts	15 Watts	15 Watts
Power Consumption	10 Watts	15 Watts	15 Watts	15 Watts	15 Watts	15 Watts
Beam Angle ^{*10%}	25°	72°	120°	38°	72°	120°
True White	CRI 80	780 lm	1000 lm	1800 lm		
Natural White	CRI 80	680 lm	1000 lm	1475 lm		
Warm White	CRI 80	630 lm	750 lm	1300 lm		

Chipsets	CREE LEDs XM-L		
	15 Watts	15 Watts	15 Watts
Power Consumption	15 Watts	15 Watts	15 Watts
Beam Angle ^{*10%}	38°	45°	72°
True White	CRI 65	1920 lm	
Natural White	CRI 75	1780 lm	
Warm White	CRI 80	1500 lm	

Chipsets	CREE LEDs XP-E HEW	
	15 Watts	15 Watts
Power Consumption	15 Watts	15 Watts
Beam Angle ^{*10%}	100°	135°
True White	CRI 68	1150 lm
Natural White	CRI 75	1000 lm
Warm White	CRI 80	880 lm

Chipsets	BRIDGELUX					
	10 Watts	10 Watts	10 Watts	15 Watts	15 Watts	15 Watts
Power Consumption	10 Watts	10 Watts	10 Watts	15 Watts	15 Watts	15 Watts
Beam Angle ^{*10%}	60°	72°	120°	60°	72°	120°
True White	CRI 65	850 lm			1200 lm	
Natural White	CRI 80	720 lm			1100 lm	
Warm White	CRI 82	620 lm			850 lm	

Chipsets	EPISTAR		
	12 Watts	12 Watts	12 Watts
Power Consumption	12 Watts	12 Watts	12 Watts
Beam Angle ^{*10%}	60°	72°	120°
True White	CRI 70	750 lm	
Natural White	CRI 70	730 lm	
Warm White	CRI 70	660 lm	

Chipsets	EPISTAR	
	15 Watts	15 Watts
Power Consumption	15 Watts	15 Watts
Beam Angle ^{*10%}	100°	135°
True White	CRI 98	680 lm
Warm White	CRI 98	520 lm

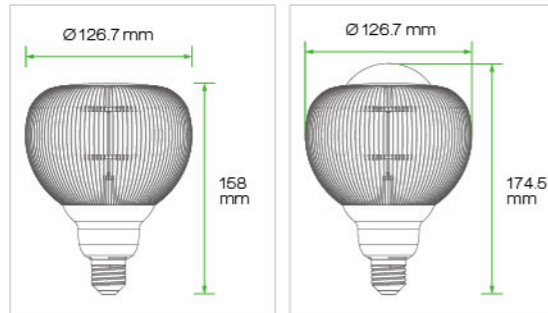
BR40

E26 / 24 (US)



Beam Angle : 38° / 45° / 72° / 120° / 135°

Beam Angle : 60° / 72° / 100°



Working Voltage **100 - 240V AC**
(Power Factor: ≥ 0.9)
24V DC
(Power Factor: 1)

Weight **15.2 oz. (430 g)**

Operating Temp **-20°C to +40°C**

Lifespan **40,000 hours**

Warranty **3 Years Limited**

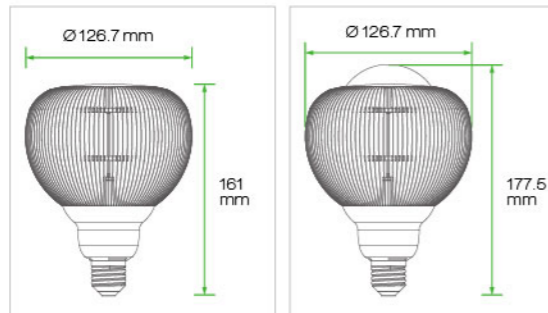
BR40

E26 / 27 (EURO)



Beam Angle : 38° / 45° / 72° / 120° / 135°

Beam Angle : 60° / 72° / 100°



Working Voltage **100 - 240V AC**
(Power Factor: ≥ 0.9)
24V DC
(Power Factor: 1)

Weight **15.2 oz. (430 g)**

Operating Temp **-20°C to +40°C**

Lifespan **40,000 hours**

Warranty **3 Years Limited**

COMPATIBLE WITH E39/E40 SOCKET



COLOR

True White Natural White Warm White

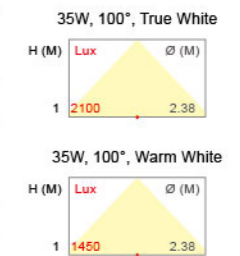


CHIPSET LUMINOUS FLUX

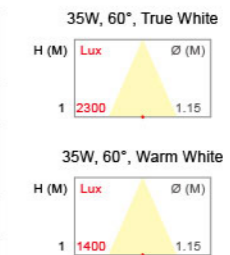
All Chipset Luminous Flux Data are indicated in max values

Chipsets	CREE LEDs XT-E	
Power Consumption	20 Watts	20 Watts
Beam Angle	*10% 100°	135°
True White	CRI 70	2000 lm
Natural White	CRI 80	1650 lm
Warm White	CRI 80	1450 lm
Warm White Ck: 2200K	CRI 80	1250 lm

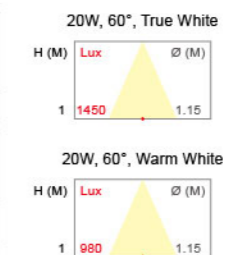
Chipsets	CREE LEDs XM-L				
Power Consumption	35 Watts	35 Watts	35 Watts	35 Watts	35 Watts
Beam Angle	*10% 38°	45°	72°	100°	135°
True White	CRI 65	3550 lm			
Natural White	CRI 75	3100 lm			
Warm White	CRI 80	2550 lm			



Chipsets	BRIDGELUX		
Power Consumption	35 Watts	35 Watts	35 Watts
Beam Angle	*10% 60°	72°	120°
True White	CRI 65	2750 lm	
Natural White	CRI 80	2500 lm	
Warm White	CRI 82	1780 lm	



Chipsets	BRIDGELUX		
Power Consumption	20 Watts	20 Watts	20 Watts
Beam Angle	*10% 60°	72°	120°
True White	CRI 65	1600 lm	
Natural White	CRI 80	1450 lm	
Warm White	CRI 82	950 lm	





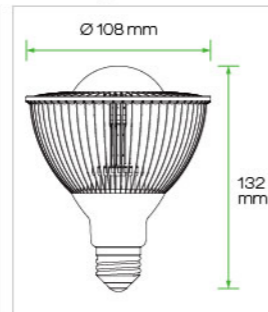
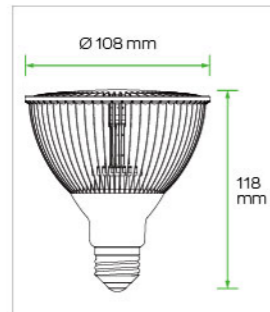
PAR30 - P03

IP68 CE FC PS E REACH Compliant RoHS Compliant Laser Testing Compliant

E26 / 24 (US)

Beam Angle : 30°/38°/45°/50°/60°/72°/80°/90°/135°

Beam Angle : 100°



Working Voltage **100 - 240V AC**
(Power Factor: ≥ 0.9)
24V DC
(Power Factor: 1)
Weight **14 oz. (400 g)**
Operating Temp **-65°C to +40°C**
Lifespan **50,000 hours**
Warranty **3 Years Limited**

E26 / 27 (EURO)

Beam Angle : 30°/38°/45°/50°/60°/72°/80°/90°/135°

Beam Angle : 100°



Working Voltage **100 - 240V AC**
(Power Factor: ≥ 0.9)
24V DC
(Power Factor: 1)
Weight **14 oz. (400 g)**
Operating Temp **-65°C to +40°C**
Lifespan **50,000 hours**
Warranty **3 Years Limited**

CHIPSET LUMINOUS FLUX

All Chipset Luminous Flux Data are indicated in max values

Chipsets	CREE LEDs XT-E				CREE LEDs XP-G				CREE LEDs XP-E			
	15 Watts		20 Watts		15 Watts		20 Watts		15 Watts		20 Watts	
Power Consumption	15 Watts		20 Watts		15 Watts		20 Watts		15 Watts		20 Watts	
Beam Angle	*10% 45° 60° 80° 100° 135°				30° 50° 60° 80° 100° 135°				30° 50° 60° 80° 100° 135°			
True White	CRI 70	1600 lm	2000 lm	-	-	-	-	-	-	-	-	-
	CRI 80	-	-	1400 lm	1850 lm	-	-	1100 lm	-	-	-	-
Natural White	CRI 80	1300 lm	1650 lm	1150 lm	1550 lm	-	-	950 lm	-	-	-	-
Warm White	CRI 80	1150 lm	1450 lm	1000 lm	1350 lm	-	-	850 lm	-	-	-	-
Warm White CK: 2200K	CRI 80	1000 lm	1250 lm	-	-	-	-	-	-	-	-	-

Chipsets	LUXEON Rebel ES				LUXEON Rebel			
	15 Watts		20 Watts		15 Watts			
Power Consumption	15 Watts		20 Watts		15 Watts			
Beam Angle	*10% 30° 50° 60° 80° 100° 135°				30° 38° 45° 72° 100° 135°			
True White	CRI 80	1400 lm	1850 lm	-	-	-	-	1100 lm
	CRI 80	1150 lm	1550 lm	-	-	-	-	950 lm
Warm White	CRI 80	1000 lm	1350 lm	-	-	-	-	850 lm
	CRI 90	800 lm	1090 lm	-	-	-	-	690 lm

Chipsets	EPSTAR
Power Consumption	15 Watts
Beam Angle	*10% 80° 100° 135°
True White	CRI 98 680 lm
Warm White	CRI 98 520 lm

PAR30 - P04

IP68 CE FC PS E REACH Compliant RoHS Compliant Laser Testing Compliant



E26 / 24 (US)

Beam Angle : 30°/38°/45°/50°/60°/72°/80°/90°/135°

Beam Angle : 100°

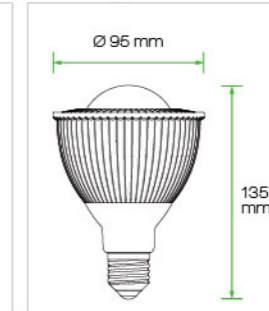


Working Voltage **100 - 240V AC**
(Power Factor: ≥ 0.9)
24V DC
(Power Factor: 1)
Weight **14 oz. (400 g)**
Operating Temp **-65°C to +40°C**
Lifespan **50,000 hours**
Warranty **3 Years Limited**

E26 / 27 (EURO)

Beam Angle : 30°/38°/45°/50°/60°/72°/80°/90°/135°

Beam Angle : 100°



Working Voltage **100 - 240V AC**
(Power Factor: ≥ 0.9)
24V DC
(Power Factor: 1)
Weight **14 oz. (400 g)**
Operating Temp **-65°C to +40°C**
Lifespan **50,000 hours**
Warranty **3 Years Limited**

CHIPSET LUMINOUS FLUX

All Chipset Luminous Flux Data are indicated in max values

Chipsets	CREE LEDs XT-E				CREE LEDs XP-G				CREE LEDs XP-E			
	15 Watts		20 Watts		15 Watts		20 Watts		15 Watts		20 Watts	
Power Consumption	15 Watts		20 Watts		15 Watts		20 Watts		15 Watts		20 Watts	
Beam Angle	*10% 45° 60° 80° 100° 135°				30° 50° 60° 80° 100° 135°				30° 50° 60° 80° 100° 135°			
True White	CRI 70	1600 lm	2000 lm	-	-	-	-	-	-	-	-	-
	CRI 80	-	-	1400 lm	1850 lm	-	-	1100 lm	-	-	-	-
Natural White	CRI 80	1300 lm	1650 lm	1150 lm	1550 lm	-	-	950 lm	-	-	-	-
Warm White	CRI 80	1150 lm	1450 lm	1000 lm	1350 lm	-	-	850 lm	-	-	-	-
Warm White CK: 2200K	CRI 80	1000 lm	1250 lm	-	-	-	-	-	-	-	-	-

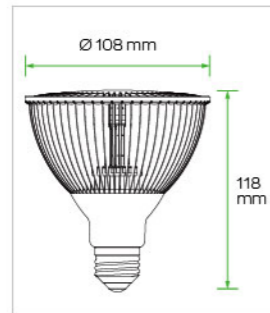
Chipsets	LUXEON Rebel ES				LUXEON Rebel			
	15 Watts		20 Watts		15 Watts			
Power Consumption	15 Watts		20 Watts		15 Watts			
Beam Angle	*10% 30° 50° 60° 80° 100° 135°				30° 38° 45° 72° 100° 135°			
True White	CRI 80	1400 lm	1850 lm	-	-	-	-	1100 lm
	CRI 80	1150 lm	1550 lm	-	-	-	-	950 lm
Warm White	CRI 80	1000 lm	1350 lm	-	-	-	-	850 lm
	CRI 90	800 lm	1090 lm	-	-	-	-	690 lm

Chipsets	EPSTAR
Power Consumption	15 Watts
Beam Angle	*10% 80° 100° 135°
True White	CRI 98 680 lm
Warm White	CRI 98 520 lm

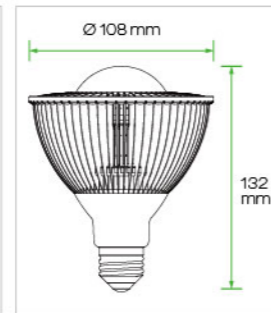


E26 / 24 (US)

Beam Angle :
25°/ 38°/ 60°/ 90°/ 135°



Beam Angle : 100°



Working Voltage **100 - 240V AC**
(Power Factor: ≥ 0.9)
24V DC
(Power Factor: 1)
Weight **14 oz. (400 g)**
Operating Temp **-65°C to +40°C**
Lifespan **50,000 hours**
Warranty **3 Years Limited**

E26 / 27 (EURO)

Beam Angle :
25°/ 38°/ 60°/ 90°/ 135°



Beam Angle : 100°



Working Voltage **100 - 240V AC**
(Power Factor: ≥ 0.9)
24V DC
(Power Factor: 1)
Weight **14 oz. (400 g)**
Operating Temp **-65°C to +40°C**
Lifespan **50,000 hours**
Warranty **3 Years Limited**

CHIPSET LUMINOUS FLUX

All Chipset Luminous Flux Data are indicated in max values

Chipsets	CREE LEDs XT-E				CREE LEDs XP-G				CREE LEDs XB-D				CREE LEDs XP-E						
	15 Watts		20 Watts		15 Watts		20 Watts		15 Watts				15 Watts						
Beam Angle	*10%																		
	60°	90°	100°	135°	100°	135°	38°	100°	135°	100°	135°	38°	60°	90°	100°	135°	25°	100°	135°
True White	CRI 70		1600 lm		2000 lm		-		-		1400 lm				-				
	CRI 80		-		-		1400 lm		1850 lm		-				1100 lm				
Natural White	CRI 80		1300 lm		1650 lm		1150 lm		1550 lm		1150 lm				950 lm				
Warm White	CRI 80		1150 lm		1450 lm		1000 lm		1350 lm		1000 lm				850 lm				
Warm White CK: 2200K	CRI 80		1000 lm		1250 lm		-		-		-				-				

Chipsets	LUXEON Rebel ES				LUXEON Rebel			
	15 Watts		20 Watts		15 Watts			
Beam Angle	*10%							
	100°	135°	100°	135°	100°	135°		
True White	CRI 80		1400 lm		1850 lm		1100 lm	
Natural White	CRI 80		1150 lm		1550 lm		950 lm	
Warm White	CRI 80		1000 lm		1350 lm		850 lm	
	CRI 90		800 lm		1090 lm		690 lm	

Chipsets	EPISTAR		
Power Consumption	15 Watts		
Beam Angle	*10%		
	100°	135°	
True White	CRI 98		680 lm
Warm White	CRI 98		520 lm



E26 / 24 (US)

Beam Angle :
25°/ 38°/ 60°/ 90°/ 135°



Beam Angle : 100°



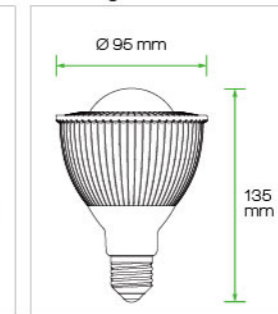
Working Voltage **100 - 240V AC**
(Power Factor: ≥ 0.9)
24V DC
(Power Factor: 1)
Weight **14 oz. (400 g)**
Operating Temp **-65°C to +40°C**
Lifespan **50,000 hours**
Warranty **3 Years Limited**

E26 / 27 (EURO)

Beam Angle :
25°/ 38°/ 60°/ 90°/ 135°



Beam Angle : 100°



Working Voltage **100 - 240V AC**
(Power Factor: ≥ 0.9)
24V DC
(Power Factor: 1)
Weight **14 oz. (400 g)**
Operating Temp **-65°C to +40°C**
Lifespan **50,000 hours**
Warranty **3 Years Limited**

CHIPSET LUMINOUS FLUX

All Chipset Luminous Flux Data are indicated in max values

Chipsets	CREE LEDs XT-E				CREE LEDs XP-G				CREE LEDs XB-D				CREE LEDs XP-E						
	15 Watts		20 Watts		15 Watts		20 Watts		15 Watts				15 Watts						
Beam Angle	*10%																		
	60°	90°	100°	135°	100°	135°	38°	100°	135°	100°	135°	38°	60°	90°	100°	135°	25°	100°	135°
True White	CRI 70		1600 lm		2000 lm		-		-		1400 lm				-				
	CRI 80		-		-		1400 lm		1850 lm		-				1100 lm				
Natural White	CRI 80		1300 lm		1650 lm		1150 lm		1550 lm		1150 lm				950 lm				
Warm White	CRI 80		1150 lm		1450 lm		1000 lm		1350 lm		1000 lm				850 lm				
Warm White CK: 2200K	CRI 80		1000 lm		1250 lm		-		-		-				-				

Chipsets	LUXEON Rebel ES				LUXEON Rebel			
	15 Watts		20 Watts		15 Watts			
Beam Angle	*10%							
	100°	135°	100°	135°	100°	135°		
True White	CRI 80		1400 lm		1850 lm		1100 lm	
Natural White	CRI 80		1150 lm		1550 lm		950 lm	
Warm White	CRI 80		1000 lm		1350 lm		850 lm	
	CRI 90		800 lm		1090 lm		690 lm	

Chipsets	EPISTAR		
Power Consumption	15 Watts		
Beam Angle	*10%		
	100°	135°	
True White	CRI 98		680 lm
Warm White	CRI 98		520 lm

E26 / 24 (US)

Beam Angle :
38°/72°/80°/120°/135°



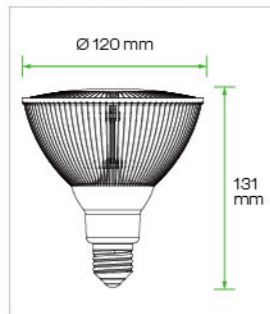
Beam Angle : 100°



Working Voltage **100 - 240V AC**
(Power Factor: ≥ 0.9)
24V DC
(Power Factor: 1)
Weight **17.6 oz. (500 g)**
Operating Temp **-65°C to +40°C**
Lifespan **50,000 hours**
Warranty **3 Years Limited**

E26 / 27 (EURO)

Beam Angle :
38°/72°/80°/120°/135°



Beam Angle : 100°



Working Voltage **100 - 240V AC**
(Power Factor: ≥ 0.9)
24V DC
(Power Factor: 1)
Weight **17.6 oz. (500 g)**
Operating Temp **-65°C to +40°C**
Lifespan **50,000 hours**
Warranty **3 Years Limited**

CHIPSET LUMINOUS FLUX

All Chipset Luminous Flux Data are indicated in max values

Chipsets	CREE LEDs XT-E	
Power Consumption	30 Watts	
Beam Angle $\pm 10\%$	100°	135°
True White	CRI 70	3050 lm
Natural White	CRI 80	2650 lm
Warm White	CRI 80	2180 lm
Warm White CK: 2200K	CRI 80	1950 lm

Chipsets	CREE LEDs XM-L			
Power Consumption	30 Watts			
Beam Angle $\pm 10\%$	38°	80°	100°	135°
True White	CRI 65	3050 lm		
Natural White	CRI 75	2650 lm		
Warm White	CRI 80	2180 lm		

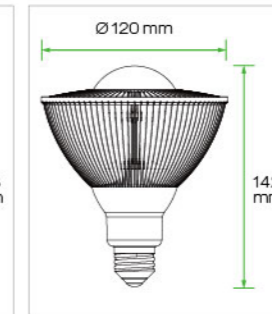
Chipsets	BRIDGELUX	
Power Consumption	30 Watts	
Beam Angle $\pm 10\%$	72°	120°
True White	CRI 65	2350 lm
Natural White	CRI 80	2140 lm
Warm White	CRI 82	1520 lm

E26 / 24 (US)

Beam Angle :
60°/72°/120°/135°



Beam Angle : 100°



Working Voltage **100 - 240V AC**
(Power Factor: ≥ 0.9)
24V DC
(Power Factor: 1)
Weight **17.6 oz. (500 g)**
Operating Temp **-65°C to +40°C**
Lifespan **50,000 hours**
Warranty **3 Years Limited**

E26 / 27 (EURO)

Beam Angle :
60°/72°/120°/135°



Beam Angle : 100°



Working Voltage **100 - 240V AC**
(Power Factor: ≥ 0.9)
24V DC
(Power Factor: 1)
Weight **17.6 oz. (500 g)**
Operating Temp **-65°C to +40°C**
Lifespan **50,000 hours**
Warranty **3 Years Limited**

CHIPSET LUMINOUS FLUX

All Chipset Luminous Flux Data are indicated in max values

Chipsets	CREE LEDs XT-E	
Power Consumption	30 Watts	
Beam Angle $\pm 10\%$	100°	135°
True White	CRI 70	3050 lm
Natural White	CRI 80	2650 lm
Warm White	CRI 80	2180 lm
Warm White CK: 2200K	CRI 80	1950 lm

Chipsets	CREE LEDs XM-L			
Power Consumption	30 Watts			
Beam Angle $\pm 10\%$	100°	135°		
True White	CRI 65	3050 lm		
Natural White	CRI 75	2650 lm		
Warm White	CRI 80	2180 lm		

Chipsets	BRIDGELUX	
Power Consumption	30 Watts	
Beam Angle $\pm 10\%$	60°	72°
True White	CRI 65	2350 lm
Natural White	CRI 80	2140 lm
Warm White	CRI 82	1520 lm